



BINTELLI **SERIES**
NEMESIS **LSV**



WWW.BINTELLIEV.COM

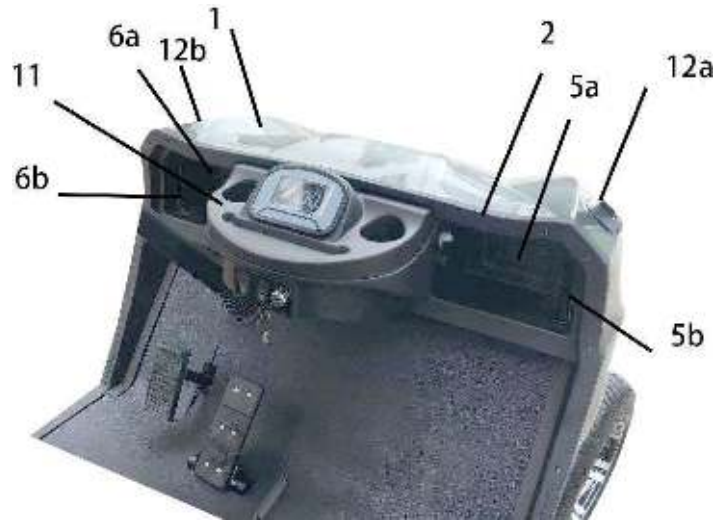
Bintelli Nemesis Parts Manual
www.BintelliParts.com

Index

1-1 Front Cover, Instrument Panel	4
1-2 Windshield.....	5
One-piece Windshield	5
1-3 CANOPY KIT	8
4pr Canopy AW2024KSF & AW2024KSZ.....	8
6pr Canopy AW2048KSF & AW2048KSZ	11
1-4 Rear Cover.....	13
1-5 Seat.....	16
1-6 Rear Kits.....	19
Sweater Basket/Golf Bag Strap.....	19
Flip-flop Seat.....	20
6pr First Row Seat	21
1-7 Front Bumper.....	23
1-8 Side Rear View Mirrors.....	24
2-1 Frame and Supports	25
3-1 Brake Components	28
4-1 Front Axle Assembly	35
4-2 Front Hub	32
5-1 Rear Axle.....	37
5-2 Half Axle Assembly	38
5-3 Differential Assembly	39
5-4 Differential	41
6-1 Front Suspension.....	43
6-2 Rear Suspension.....	45
6-3 Front Shock Absorber.....	47
6-4 Rear Shock Absorber	49
7-1 Steering Wheel Assembly.....	51
7-2 Tie Rod	52
7-3 Steering Shaft Assembly.....	53
7-4 Steering Gear Assembly	55
8-1 Wheel & Tire	57
10'Aluminum Wheel & Tire.....	57

9-1	Motor	59
	48V/5KW PMSM Motor (48V/5kw).....	
9-2	Controller.....	60
	PSM Controller	
9-3	Battery & Cables	61
	4p 6X8V Battery Setup (6X8V).....	61
	6p 8X6V Battery Setup (8X6V)	63
10-1	Harness	65
10-2	Instrument Panel, Start Key.....	67
10-3	Combination Switch, Speaker, Backup Buzzer, Fuses, Relays	68
10-4	Charger.....	69
11	Lighting System	70
12-1	Accelerator Assembly.....	72
12-2	Accelerator Pedal Assembly.....	74
12-3	DC converter.....	76
	Accessories (Option)	78

1-1 Front Cover, Instrument Panel



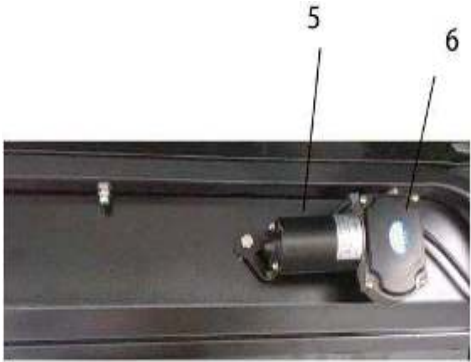
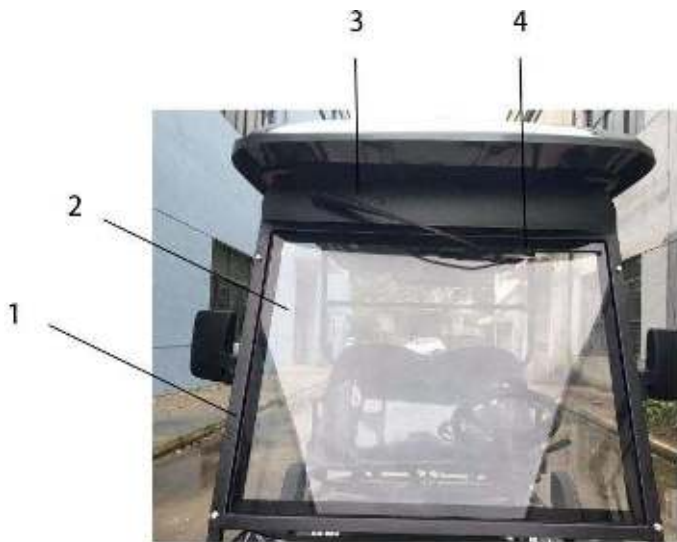
1-1 Front Cover, Instrument Panel

Item	Part No	Description	Qty	Remark
1	AW5302010-036 AW5302010-036-Black AW5302010-036-Titanium AW5302010-036-White AW5302010-036-Red AW5302010-036-Teal AW5302010-036-Ocean AW5302010-036-Navy	Front cover (unpainted)	1	
2	AW5305110-009	Instrument panel assembly	1	
5a	AW5305123-009a	Cover inside the glove box (Passenger side)	1	
5b	AW5305123-009b	Cover inside the glove box (Passenger side)	1	
6a	AW5109011-036a	Cover inside the glove box (Driver side)	1	
6b	AW5109011-036b	Cover inside the glove box (Driver side)	1	
7	AW5305121-009D	Digital Meter (Display)		
11	AW5305121-009	Cup holder (plastic)	1	
12a	AW5305121-009	Cover of front upright (Passenger side)	1	

1-1Front Cover, Instrument Panel

12b	AW5305121-009A	Cover of front upright (Driver side)	1	
-----	----------------	---	---	--

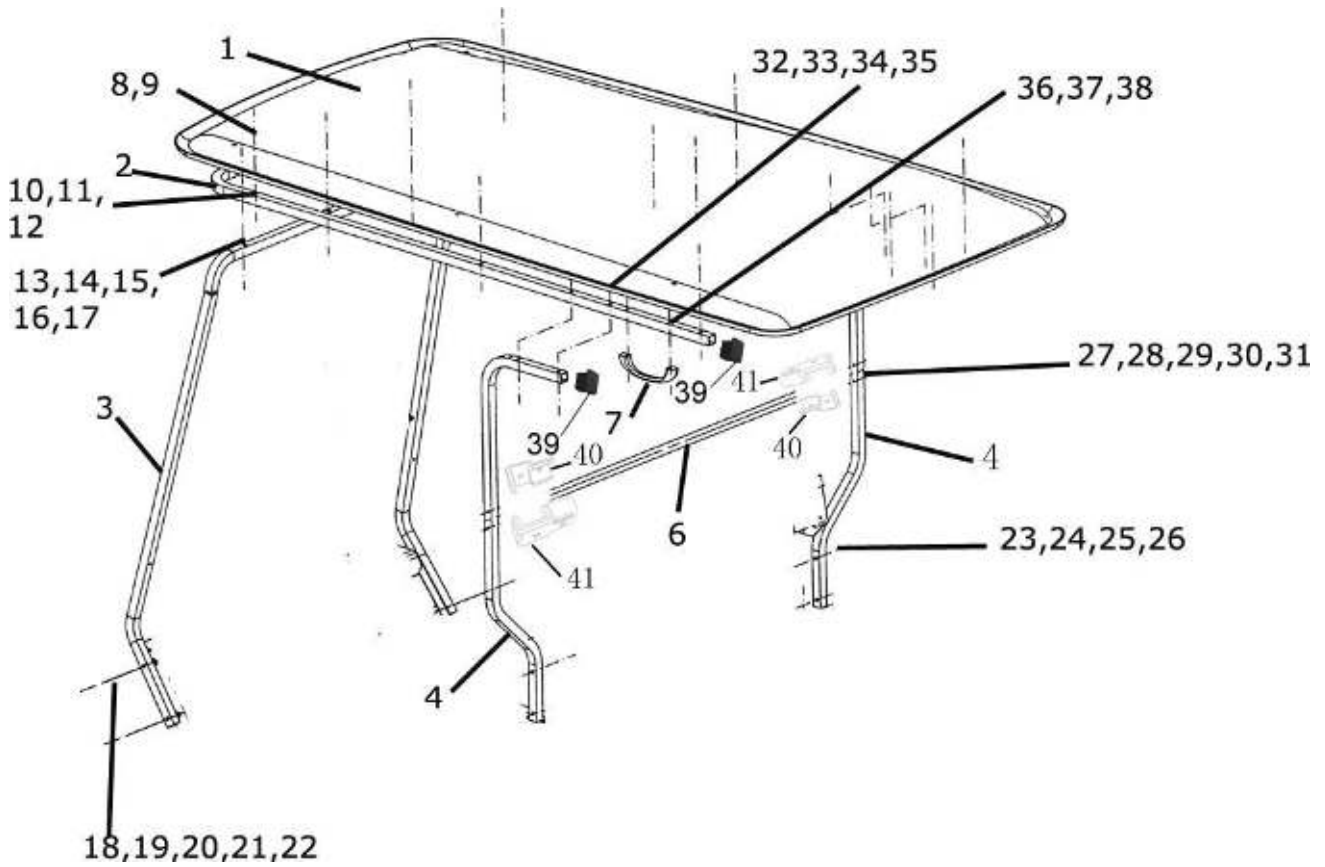
1-2A, Laminated Glass Windshield



Item	Part No	Description	Qty	Remark
1	AW5303010-012K	Laminated Glass Windshield Frame	1	
2	AW5303010-012G	Laminated Glass Windshield	1	
3-4	AW5303021-013W	Wiper Arm and Blade	1	
5-6	AW5303021-014D	Wiper Motor	1	

1-2A, Laminated Glass Windshield

4pr CANOPY KIT (AW2027KSZ)



4pr CANOPY KIT (AW2027KSZ)

Item	Part No	Description	Qty	Remark
1	AW2044-5602001 AW2044-5602001-Black AW2044-5602001-Titanium AW2044-5602001-White AW2044-5602001-Red AW2044-5602001-Teal AW2044-5602001-Ocean AW2044-5602001-Navy	4pr Roof (no paint)	1	
2	AW5701061-037	Top Roof U-Bracket	1	
3	AW5701011-039	Front Roof Support Bracket (carbon steel)	1	
4	AW5701021-043	Rear Roof Support Bracket (carbon steel)	2(Set)	
6	AW5701031-039	Caddy Handle (carbon steel)	1	

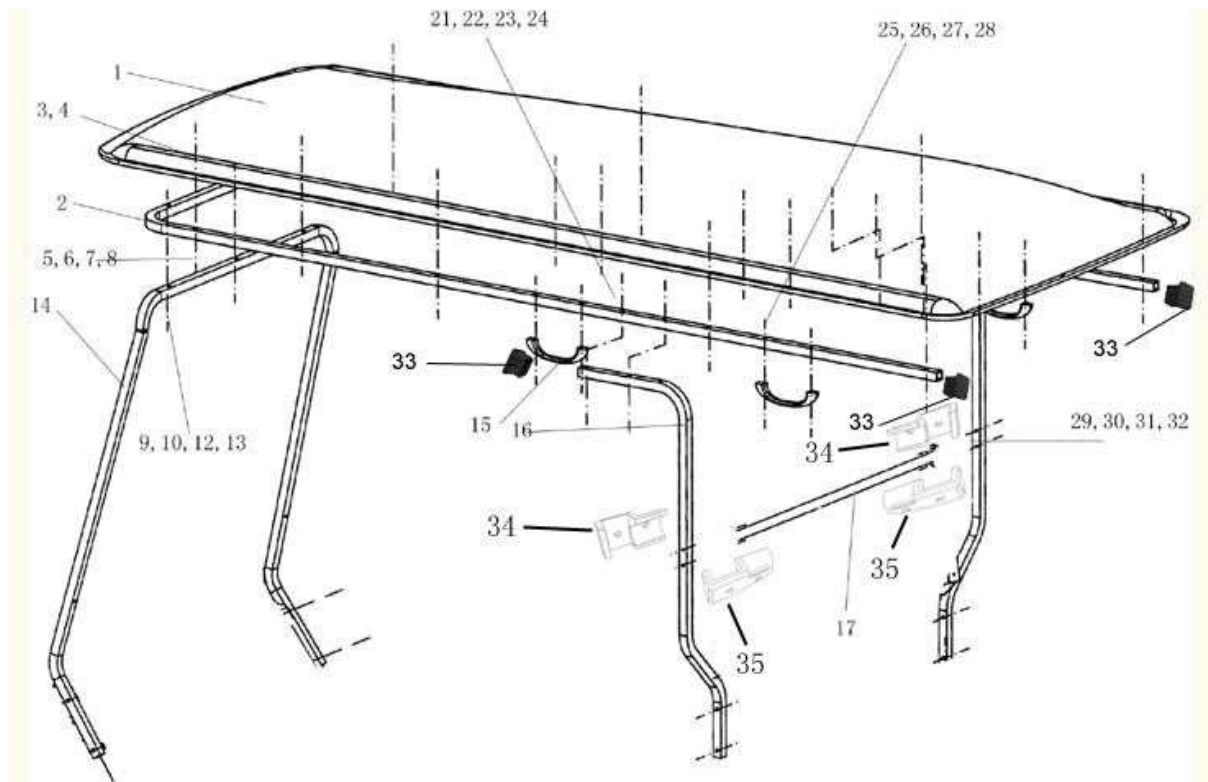
1-2A, Laminated Glass Windshield

7	AW5702021-036	Roof Handle	3	
8	Q150B0865-304H	Black nickel hex head bolt M8×65	6	
9	Q40308-304H	Black nickel Spring washer M8	6	
10	AW2024-5601002	Small Rubber Cushion	12	
11	Q40208-304H	Black nickel big washer M8	6	

12	Q40108-304H	Black nickel flat washer M8	6	
13	Q150B0865-304H	Black nickel bolt M8×65	3	
14	Q40108-304H	Black nickel flat washer M8	6	
15	Q40108-304H	Black nickel flat washer M8	3	
16	Q40308-304H	Black nickel Spring washer M8	3	
17	Q394B08-304H	Black nickel Acorn nut M8	3	
18	Q150B0865-304H	Black nickel hex head bolt M8×65	4	
19	Q40108-304H	Black nickel flat washer M8	4	
20	Q40308-304H	Black nickel Spring washer M8	4	
21	AW2024-5601002	Cushion	4	
22	AW2024-5601004	Separate block	2	
23	Q150B0840-304H	Black nickel bolt M8×40	4	
24	Q40108-304H	Black nickel washer M8	8	
25	Q40308-304H	Black nickel Spring washer M8	4	
26	Q394B08-304H	Black nickel Acorn nut M8	4	
27	Q2140645-304H	Black nickel bolt M6×45	4	
28	Q40106-304H	Black nickel washer M6	6	
29	Q40106-304H	Black nickel washer M6	6	
30	Q40306-304H	Black nickel Spring washer M6	4	
31	Q394B06-304H	Black nickel Acorn nut M6	4	
32	Q2140660-304H	Black nickel bolt M8×60	4	
33	Q40208-304H	Black nickel big washer M6	4	
34	Q40108-304H	Black nickel washer M8	8	
35	Q394B08-304H	Black nickel Acorn nut M8	4	
36	Q2140640-304H	Black nickel cross slot pan head screw M6×40	10	
37	Q40206-304H	Black nickel big washer M6	10	

38	Q40306-304H	Black nickel Spring washer M6	10	
39	AW2024-5606004	Canopy bracket cap	4	
40	AW5701041-036	#1 jacket for caddie handle	2	
41	AW5701042-036	#2 jacket for caddie handle	2	

6pr CANOPY KIT (AW2047KSZ)



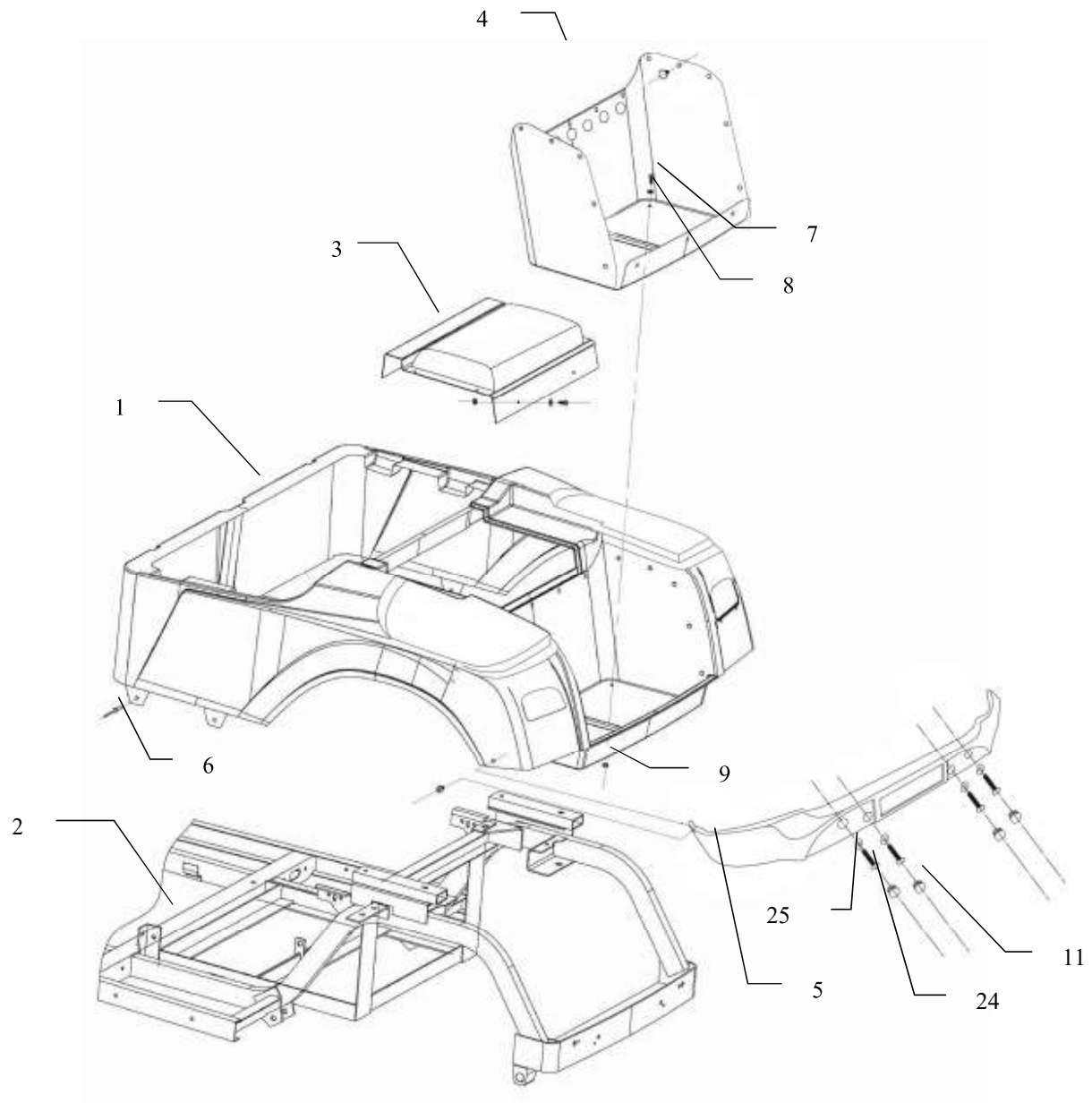
6pr CANOPY KIT

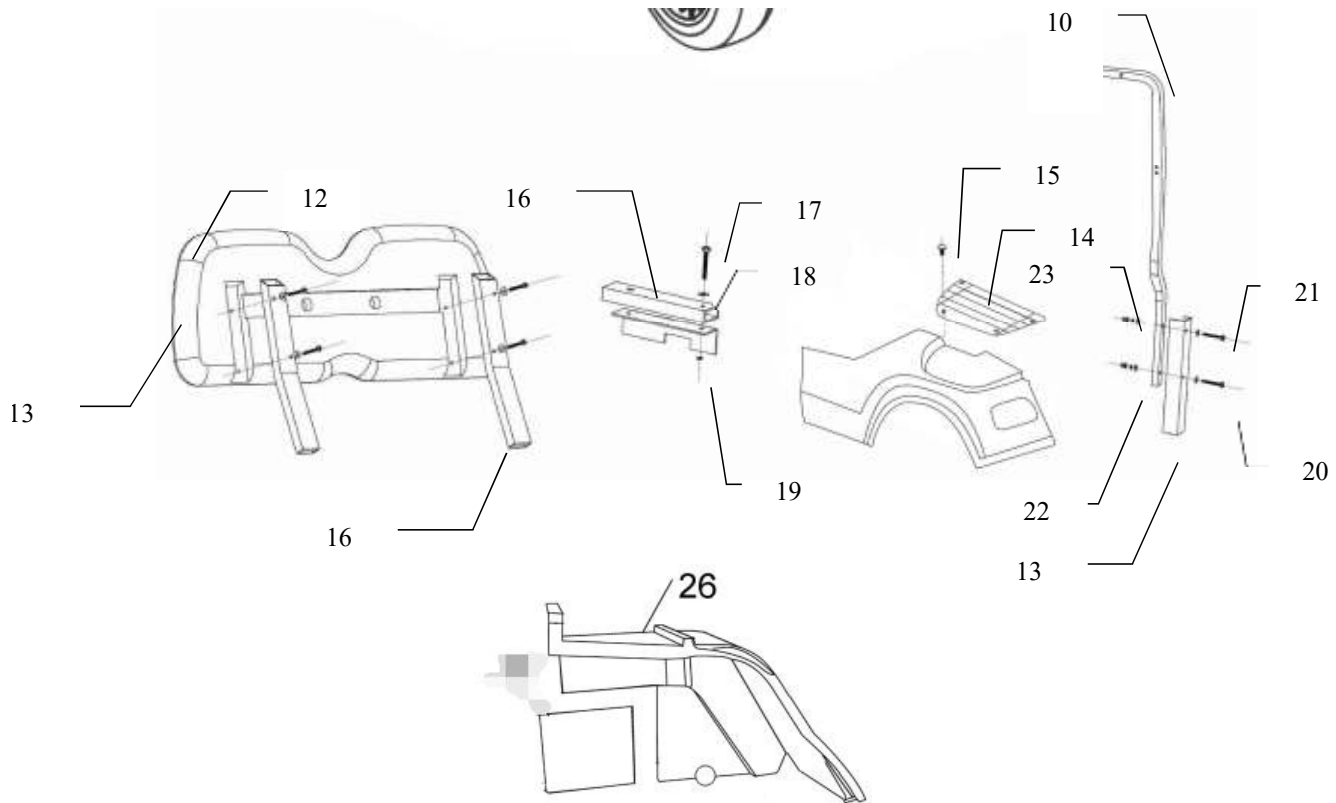
Item	Part No	Description	Qty	Remark
1	AW5702010-045-A0 AW5702010-045-Black AW5702010-045-Titanium AW5702010-045-White AW5702010-045-Red AW5702010-045-Teal AW5702010-045-Ocean AW5702010-045-Navy	Canopy (unpainted)	1	
2	AW5701061-040	Upper bracket	1	
3	Q150B0865-304H	Hex head bolt M8×65	8	
4	Q40208-304H	Black nickel Spring washer M8	8	
5	AW2024-5601002	rubber cushion	24	
6	Q40208-304H	Black nickel big washer M8	8	
7	Q40108-304H	Black nickel flat washer M8	8	
8	Q394B08-304H	Black nickel Acorn nut M8	8	
9	Q150B0865-304H	Black nickel hex head bolt M8×65	3	

10	Q40108-304H	Black nickel flat washer M8	6	
12	Q40308-304H	Black nickel Spring washer M8	3	
13	Q394B08-304H	Black nickel Acorn nut M8	3	
14	AW5701011-039	Front bracket (Carbon steel)	1	
15	AW5202170-002	Roof handle	5	

16	AW5701021-054	AW2048KSZ Rear bracket (Carbon Steel)	2	
	AW5701031-047	AW2048KSZ Caddie handle (Carbon Steel)	1	
21	Q150B0865-304H	Black nickel hex head bolt M8×65	4	
22	Q40208-304H	Black nickel big washer M6	4	
23	Q40108-304H	Black nickel flat washer M8	8	
24	Q394B08-304H	Black nickel Acorn nut M8	4	
25	Q2140640-304H	Black nickel cross slot pan head bolt M6×40	10	
26	Q40206-304H	Black nickel big washer M6	10	
27	Q40306-304H	Black nickel Spring washer M6	10	
28	#N/A	Hex head nut M6	10	
29	Q2140640-304H	Black nickel cross slot pan head bolt M6×40	4	
30	Q40006-304H	Black nickel flat washer M6	8	
31	Q40306-304H	Black nickel Spring washer M6	4	
32	Q394B06-304H	Black nickel Acorn nut M6	4	
33	AW2024-5606004	Canopy bracket cap	4	
34	AW5701041-036	#1 jacket for caddie handle	2	
35	AW5701042-036	#2 jacket for caddie handle	2	

1-4 Rear Cover





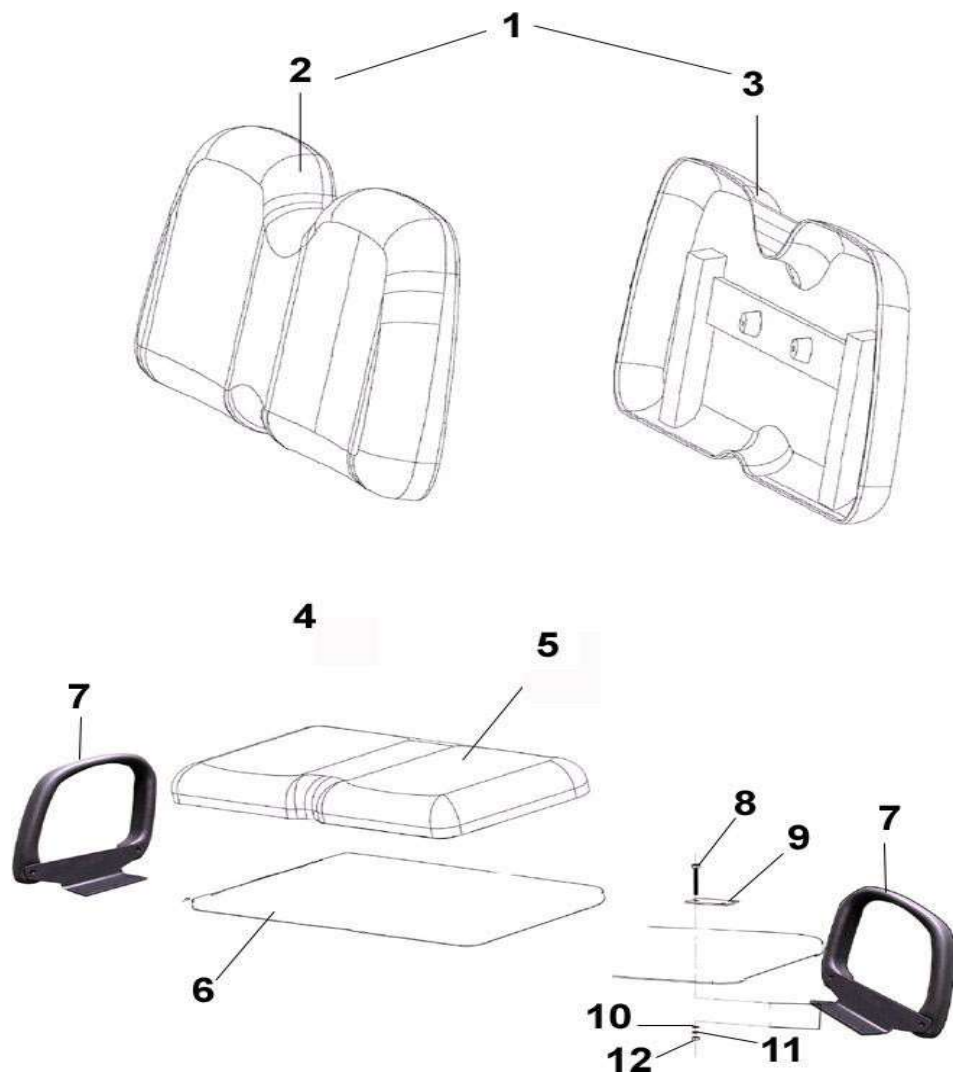
1-4 Rear Cover

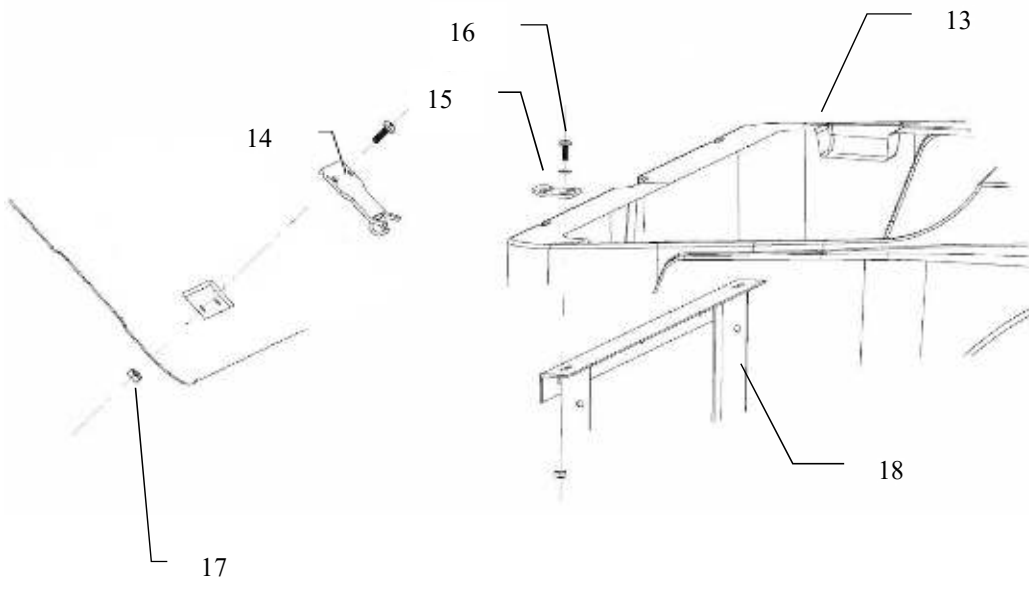
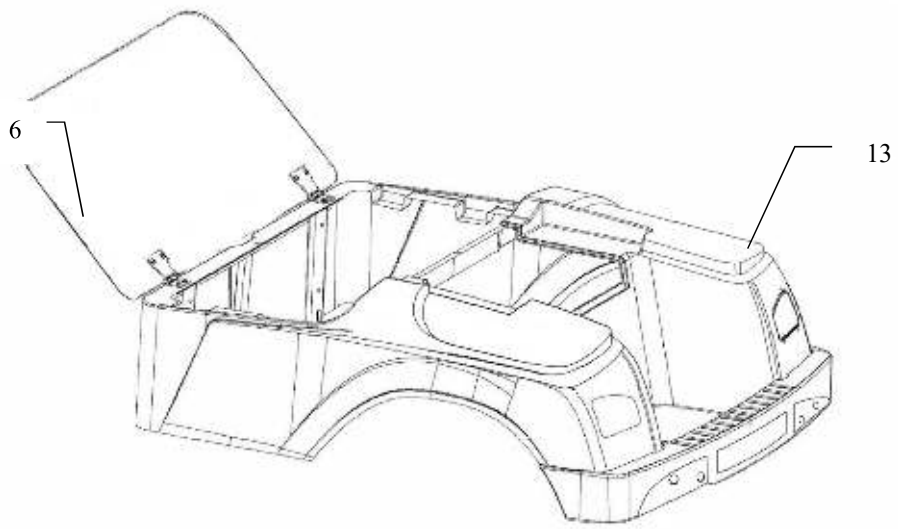
Item	Part No	Description	Qty	Remark
1	AW5402010-036 AW5402010-036-Black AW5402010-036-Titanium AW5402010-036-White AW5402010-036-Red AW5402010-036-Teal AW5402010-036-Ocean AW5402010-036-Navy	Rear cover (no paint)	1	
2	N/A	Frame assembly	1	
3	AW5402041-036	Motor Access	1	
4	AW5402031-036	Back box safety mat	1	
5	AW5406110-010	Rear bumper	1	
6	Q4400518H	Pop Rivet $\Phi 5 \times 18$ (Blind Rivet)	4	
7	Q2140645-304H	Black nickel cross slot bolt M6 \times 35	2	
8	Q40206-304H	Black nickel big washer M6	2	

9	Q32606-304H	Lock nut M6	2	
10	AW2024-5601011	Rear bracket (Carbon steel)	2	Set
11	AW5406121-010	Rubber plug for rear bumper	4	
12	AW7106100-036 AW7106100-036-Black AW7106100-036-Titanium AW7106100-036-White AW7106100-036-Red AW7106100-036-Teal AW7106100-036-Ocean AW7106100-036-Navy	Seat back cushion	1	
13	AW7106111-036	Seat back cover (plastic)	1	

16	AW7107011-036	Seat back support (carbonsteel) (Driver Side)	1	
	AW7107011-036R	Seat back support (carbon steel) (Passenger Side)	1	
17	Q150B0850-304H	Black nickel bolt M8×50	4	
18	Q40208-304H	Black nickel big washer M8	4	
19	Q32608-304	Locknut M8	4	
20	Q150B0865-304H	Black nickel bolt M8×65	4	
21	Q40108-304H	Black nickel washer M8	8	
22	Q40308-304H	Black nickel Spring washer M8	4	
23	Q394B08-304H	Black nickel Acorn nut M8	4	
24	Q2620616	Cross slot self-tapping and self-lock screw M6x16	4	
25	Q40206-304H	Big washer	4	
26	AW9005111-036	Mudguard (Left)	1	
	AW9005111-036R	Mudguard (Right)	1	

1-5 Seat





1-5 Seat

Item	Part No	Description	Qty	Remark
1	AW7106100-035 AW7106100-035-Black AW7106100-035-Titanium AW7106100-035-White AW7106100-035-Red AW7106100-035-Teal AW7106100-035-Ocean AW7106100-035-Navy	Seat back assembly (include 2,3)	1	
2	AW7106100-036 AW7106100-036-Black AW7106100-036-Titanium AW7106100-036-White AW7106100-036-Red AW7106100-036-Teal AW7106100-036-Ocean AW7106100-036-Navy	Seat back cushion	1	
3	7106111-036 7106111-036-A1	Seat back cover (plastic) Seat back cover (timber)	1 1	
4	7101100-035	Seat Bottom cushion assembly (Above the Batt) (Include 5-12)	1	7101100-036 and 7101110-036
5	7101100-036	Seat Bottom Cushion		Above Battery
6	7101110-036	Seat Bottom cover (plastic)	1	Above the Battery
7	7109100-036	Arm rest	2	Set
8	Q2620630	Cross slot round head screw M6×30	10	
9		Inter iron (included in item 4)	2	
10	Q40106-304H	Black nickel washer M6	12	
11	Q40306-304H	Black nickel Spring washer M6	12	
12	Q340B06-304H	Black nickel nut M6	12	
13	5402010-036 5402010-036-Black 5402010-036-Titanium 5402010-036-White 5402010-036-Red 5402010-036-Teal 5402010-036-Ocean 5402010-036-Navy	Rear cover (no paint)	1	
14	7107231-002	Upper piece of Hinge	2	
15	7107241-002	Lower piece of Hinge	2	

1-5 Seat

16	Q2140620-304H	Stainless steel cross slot pan head bolt M6×20	4	
17	Q32606-304H	Lock hex head nut M6	4	
18	5111030-023	Seat frame	1	

Flip-flop Seat



Flip-flop Seat

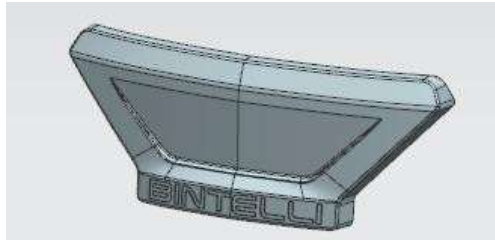
Item	Part No	Description	Qty	Remark
1	AW5401141-037a	Side armrest, driver side	1	
2	AW5401141-037b	Side armrest, passenger side	1	
3	AW5401141-038	Small cover (plastic) for storage box	1	
4	AW5401141-039	Flip-flop board (plastic)	1	
5	AW5401141-040	Fixed plastic board (Plastic)	1	
6	AW5401141-041	Standing board	1	
7	AW5401141-042	Rear steel handlebar	1	
8	AW5401141-043	Front mounting bar	1	
9	AW5401141-044	Steel bracket for seat belt	1	
10	AW5401141-045	Lower mounting bracket for fixed plastic board	1	
11	AW5401141-046	Mounting backrest	1	
12	AW5401141-047	Backrest	1	
13	AW5401141-048 AW5401141-048-Black AW5401141-048-Titanium 4AW5401141-048-White	Seat bottom of flip-flop seat	1	

	AW5401141-048-Red AW5401141-048-Teal AW5401141-048-Ocean AW5401141-048-Navy			
14	AW5401141-049	Reflector (driver side)	1	
15	AW5401141-050	Reflector (passenger side)	1	

6pr First Row Seat (Island Seat)

Item	Part No	Description	Qty	Remark
1	AW7106100-035 AW7106100-035-Black AW7106100-035-Titanium AW7106100-035-White AW7106100-035-Red AW7106100-035-Teal AW7106100-035-Ocean AW7106100-035-Navy	Assembly of seat back back (include 1,2)	1	
2	AW7106100-036 AW7106100-036-Black AW7106100-036-Titanium AW7106100-036-White AW7106100-036-Red AW7106100-036-Teal AW7106100-036-Ocean AW7106100-036-Navy	Backrest cushion	1	
3	AW7106111-036	cover for backrest (plastic)	1	
4	AW7101100-040 AW7101100-040-Black AW7101100-040-Titanium AW7101100-040-White AW7101100-040-Red AW7101100-040-Teal AW7101100-040-Ocean AW7101100-040-Navy	Assembly of Cushion	1	
5	AW7109100-036	Arm rest	2	
6	AW7107011-040	Seat back supporting bracket	2	
7	AW7107212-002	Seat ball socket	2	
8	AW7107211-002	Seat ball	2	
9	5302021-040 5302021-040-Black 5302021-040-Titanium 5302021-040-White 5302021-040-Red 5302021-040-Teal 5302021-040-Ocean 5302021-040-Navy	Front seat compartment (no paint)	1	

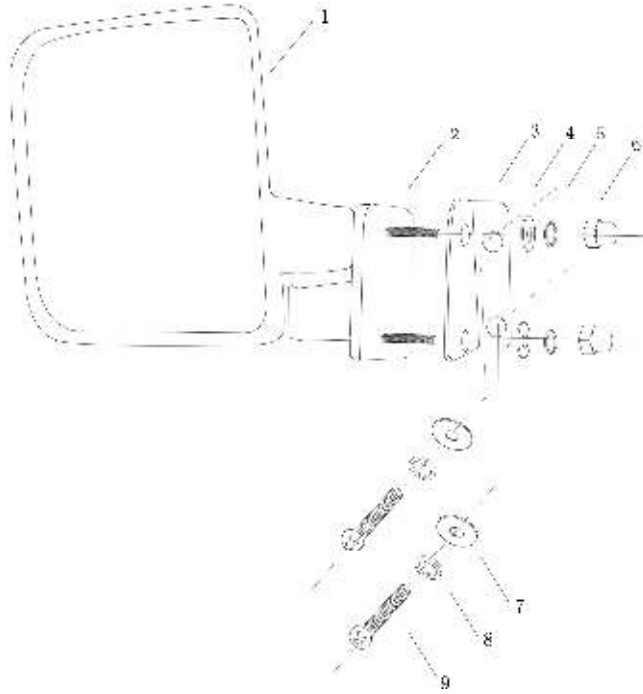
1-7 Front Bumper



1-6 Front Bumper

Item	Part No	Description	Qty	Remark
1	AW5307110-007	Front Bumper	1	

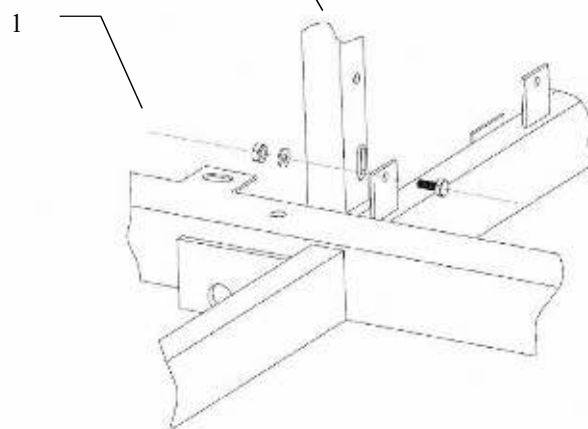
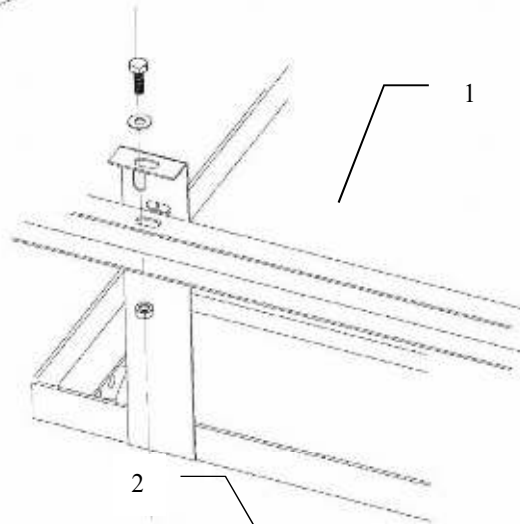
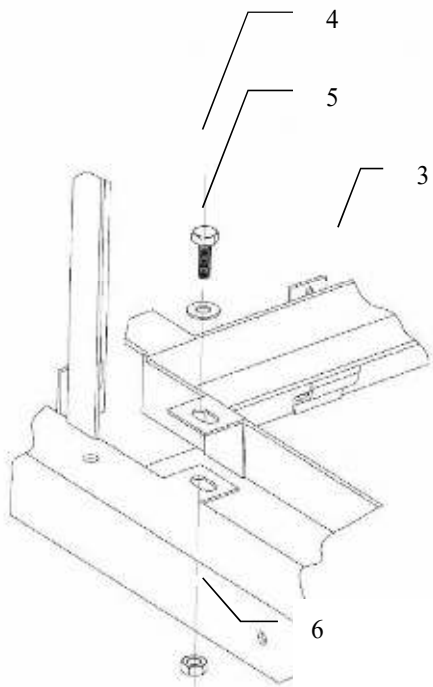
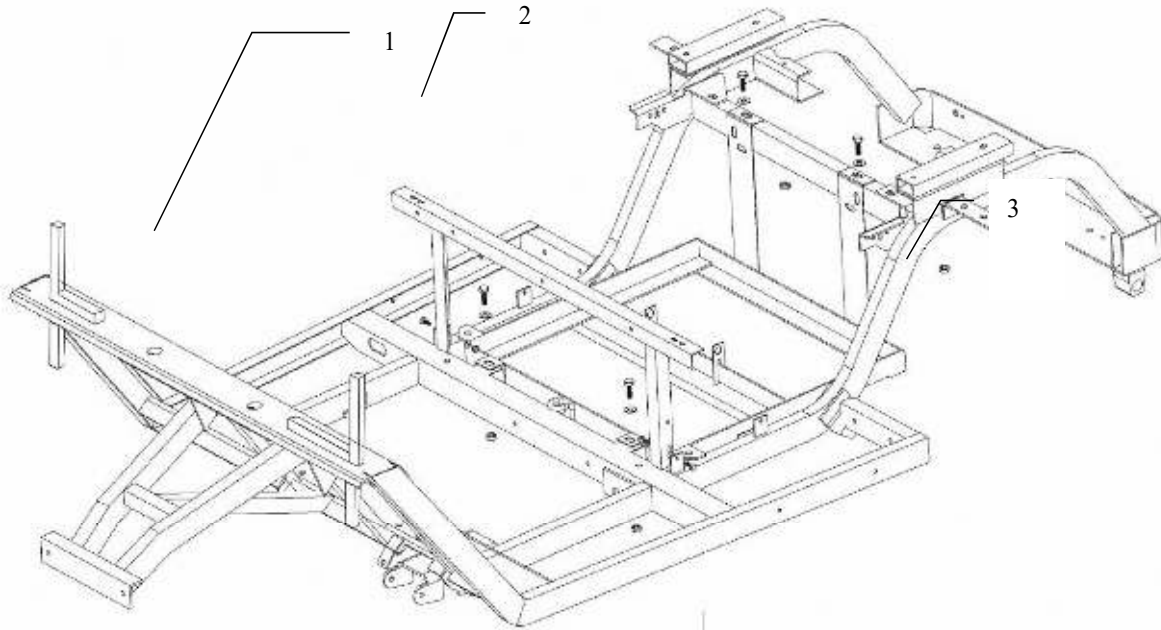
1-8 Side Rear View Mirror

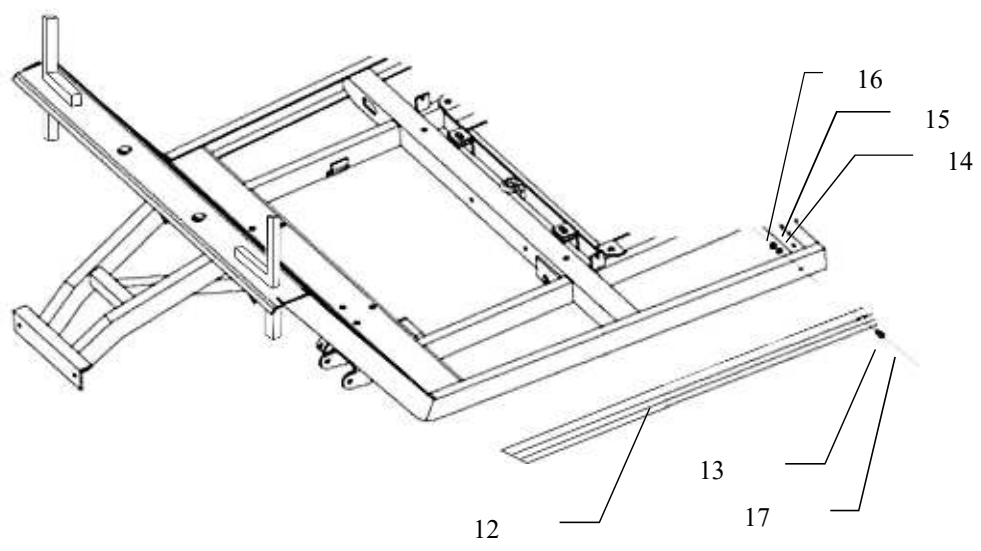
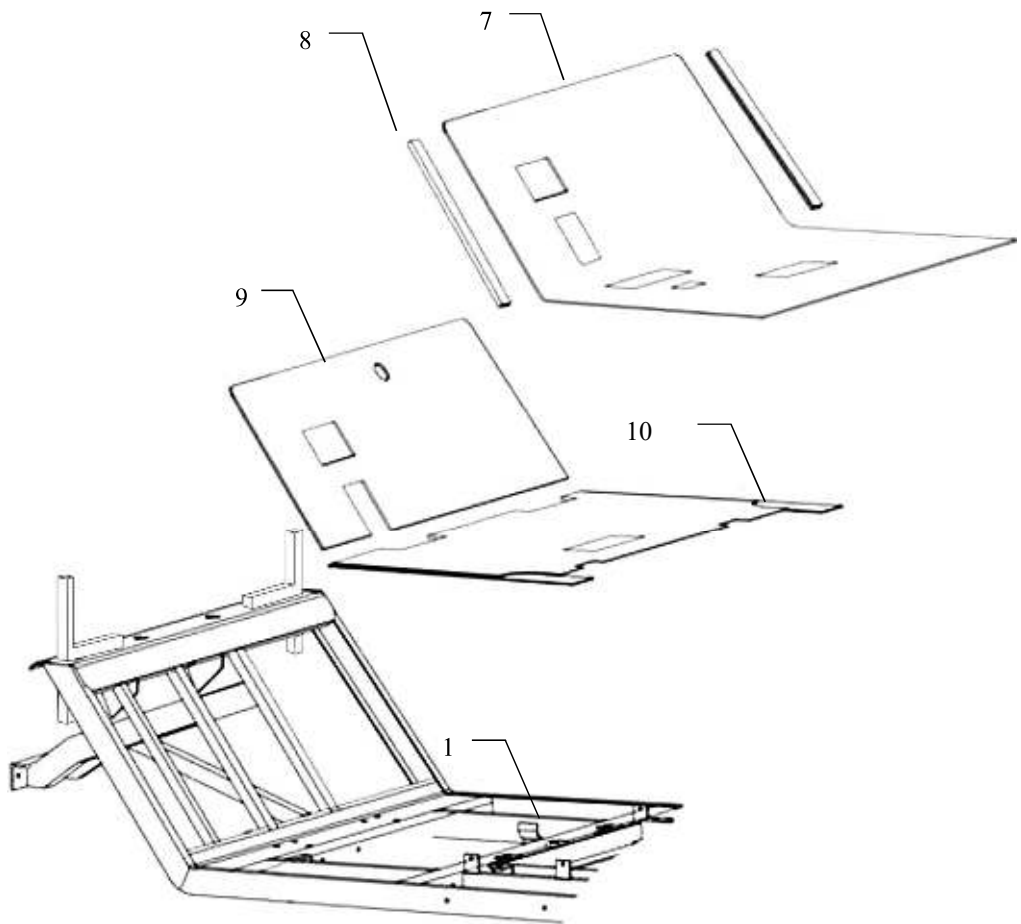


1-7 Side Rear View Mirror

Item	Part No	Description	Qty	Remark
1	AW9002100-009	Side rear view mirror	2	Set
2	AW9002011-010	Side rear view mirror bracket	2	Set
3		Side rear view mirror bass	2	Set
4	Q40106-304H	Black nickel gasket M6	2	
5	Q40306-304H	Black nickel gasket spring M6	2	
6	Q394B06-304H	Black nickel Acorn nut M6	2	
7	Q40106-304H	Black nickel gasket M6	2	
8	Q40306-304H	Black nickel spring washer M6	2	
9	Q2710620	Black nickel cross slot pan head boltM6x20	2	

2-1 Frame Assembly, Floor, Side Trim



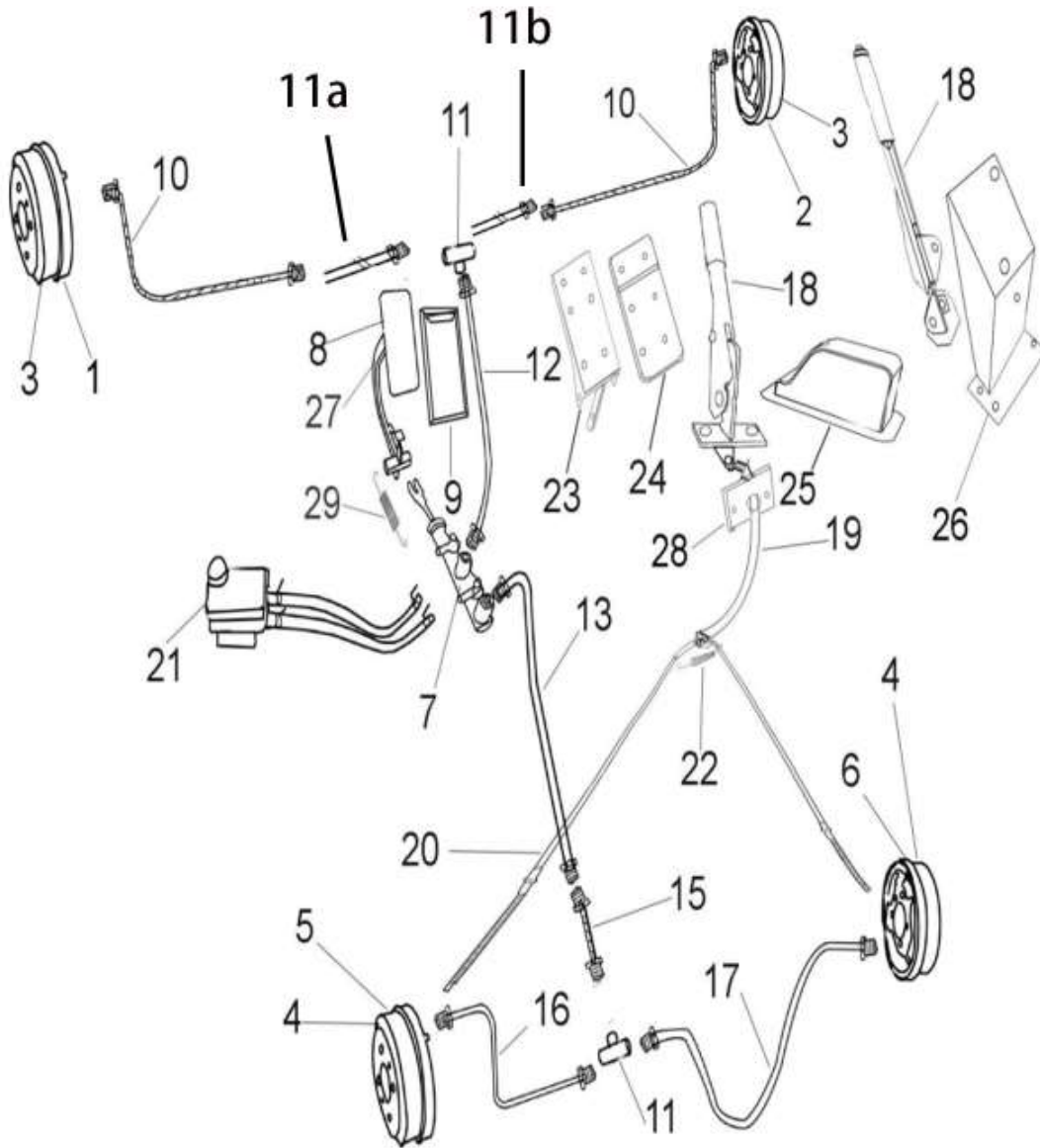


2-1 Frame Assembly, Floor, Side Trim

Item	Part No	Description	Qty	Remark
	AW5101000-023	2P Frame assembly	1	
	AW5101000-025	4P Frame assembly	1	
1	AW5101000-043	6P Frame assembly	1	
2	5111030-023	Seat frame	1	
3	5111100-023	Battery box	1	
4	Q150B0820	Hex head bolt M8×20	6	
5	Q40208	Big washer M8	12	
6	Q32608	Lock nut M8	6	
7	AW2024-5106006	Floor mat	1	4pr
	AW5107010-040	Floor mat	1	6pr
8	AW5109011-036	Floor mat bar	1	
9	AW5102011-036	Front fender	1	Plastic
10	AW5102012-036	Lower floor	1	4pr
	AW5102012-040	Lower floor	1	6pr
11	5502110-036	2P Side trim (plastic)	2	Set
	5502110-040	4P Side trim (plastic)	2	Set
	2068-5201091	6P Side trim (plastic)	2	Set
13	Q214B0645-304	Stainless steel cross slot pan head bolt M6×20	4	
14	Q40206-304	Big washer M6	4	
16	Q32606	Hex head lock nut M6	4	

3-1 Hydraulic Braking Pedal & Bracket Assembly

1) 4-wheel hydraulic drum brake system

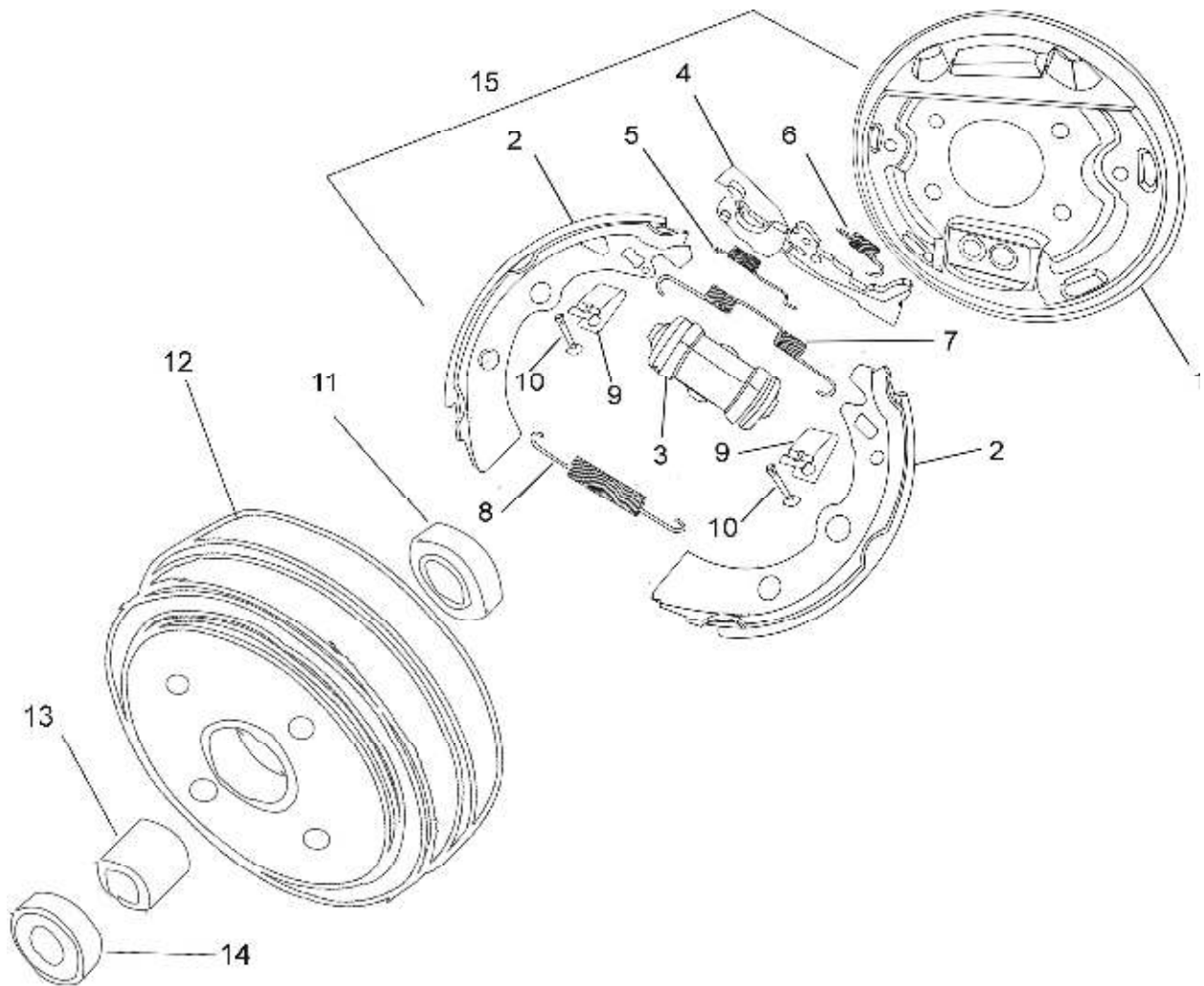


1) 4-wheel hydraulic drum brake system

Item	Part No	Description	Qty	Remark
1	AW2801100-008	Front arrester, LH	2	
2	AW2801200-008	Front arrester, RH		
3	AW2801310-008	Front brake drum	2	
4	AW2802310-008	Rear brake drum	2	
5	AW2802100-008	Rear arrester, LH	1	
6	AW2802200-008	Rear arrester, RH	1	
7	AW2804100-022	Master cylinder	1	
8	AW2803100-037	Brake pedal	1	
9	AW2803111-037	Brake pedal pad	1	
10	AW2805030-006	Brake tube	2	
11	AW2805014-002	Tri-connector	2	
11a	AW2805014-002A	Oil Pipe 430mm	1	
11b	SW2805014-002B	Oil Pipe 430mm		
12	AW2805020-009	Oil pipe 1060mm	1	
13	AW2805020-005	Oil pipe 620mm	1	
15	AW2805030-005	Rear brake tube	1	350mm
16	AW2805020-014	Oil pipe 120mm	1	
17	AW2805020-015	Oil pipe 890mm	1	
18	AW2807100-002	Parking handle lever	1	
19	AW2807200-005	No.1 parking tightwire	1	
20	AW2807300-021	No.2 parking tightwire	1	480mm
21	AW2805040-002	Oil tank	1	
22	AW09443-15008	Return Spring for parking brake	1	
23	AW2044YY-1108010	Accelerator pedal	1	
24	AW1007022-004	Accelerator pedal pad	1	
25	AW2807011-050	Handbrake cover	1	
26	AW2807130-073	Handbrake bracket	1	6pr
27	AW2803140-037	Brake pedal bracket	1	

28		Limitation block		1	4pr
29	AW2803115-037	Return Spring for brake pedal		1	

3) Front hydraulic drum brake



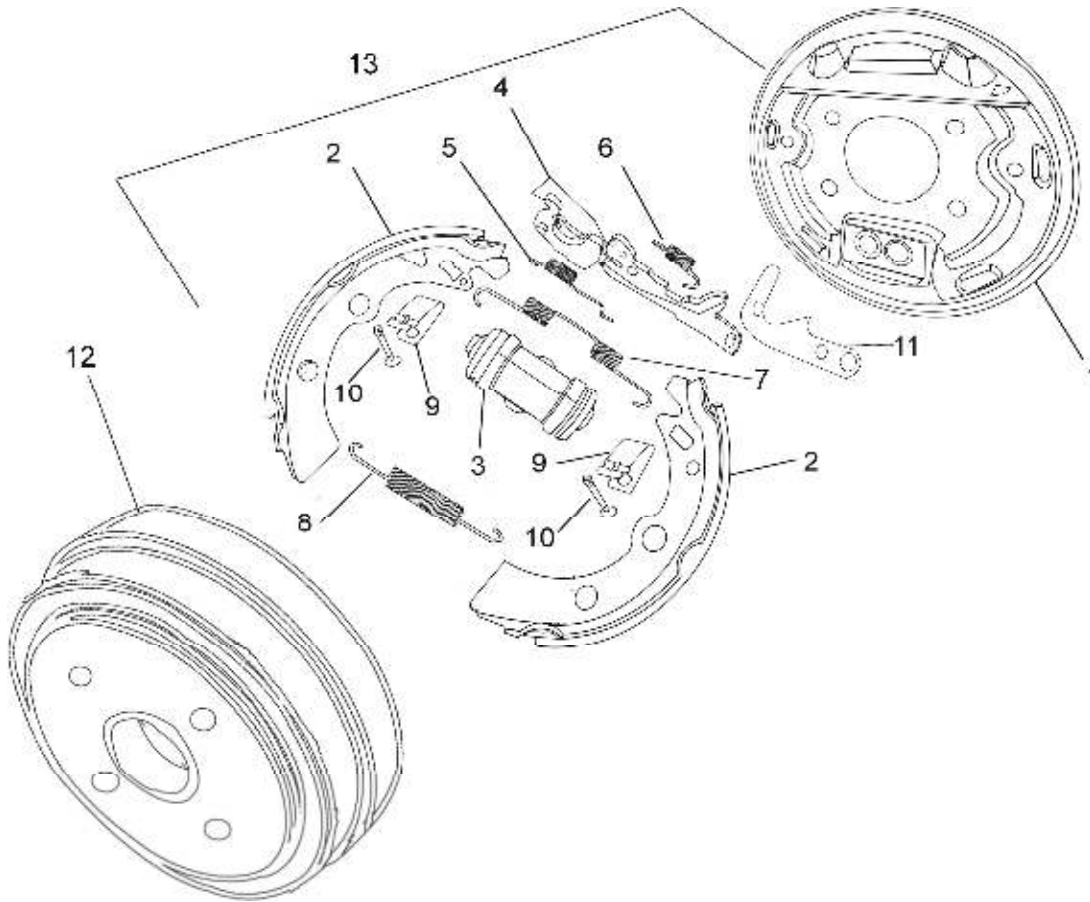
Front hydraulic drum brake

Front hydraulic drum brake

Item	Part No	Description	Qty	Remark
2	AW2801110-008	Brake shoe assembly	4	
3	AW2801130-008	Wheel cylinder	2	
4		Brake Shoe Adjustment lever	2	
5		Spring A	2	
6		Spring B	2	
7		Drag spring between brake shoe	2	
8		Return spring between brake shoe	2	
9		Clip for brake shoe	4	
10		Hold-down pin	4	
11		Inner bearing	2	
12		bush	2	
13		Outer bearing	2	
14	AW2801310-008	Front brake drum	2	
15	AW2801100-008	Front Brake Assembly, LH	1	Includes 1-13
	AW2801200-008	Front Brake Assembly, RH	1	Includes 1-13

4) Rear hydraulic drum brake

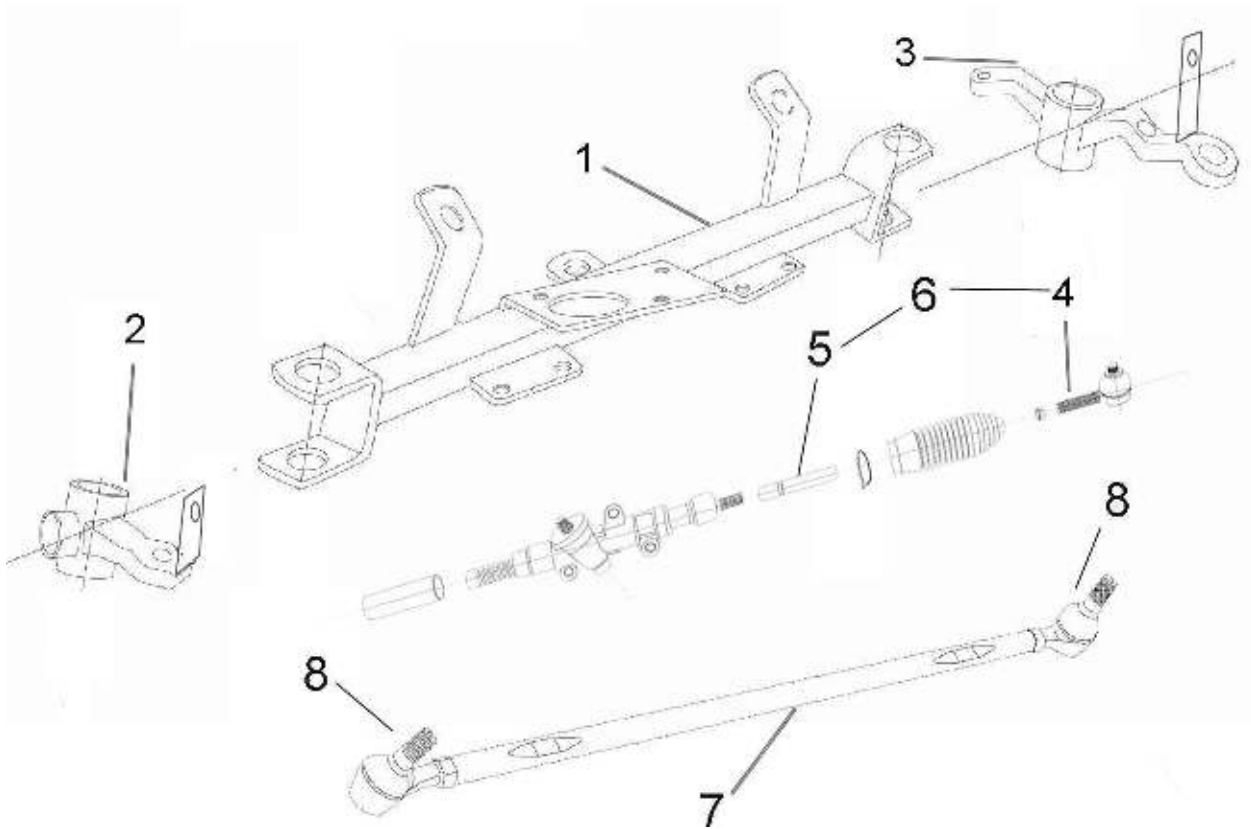
Rear hydraulic drum brake of



Rear hydraulic drum brake

Item	Part No	Description	Qty	Remark
2	AW2801110-008	Brake shoe assembly	4	
3	AW2801130-008	Wheel cylinder	2	
4		Brake shoe gap self adjustment pusher	2	
5		Spring A	2	
6		Spring B	2	
7		Drag spring between brake shoe	2	
8		Return spring between brake shoe	2	
9		Clip for brake shoe	4	
10		Hold-down pin	4	
11		Parking brake hold bracket	2	
12	AW2802310-008	Rear brake drum	2	
13	AW2802100-008	Rear Brake Assembly, LH	1	Includes 1-11
	AW2802200-008	Rear Brake Assembly, RH	1	Includes 1-11

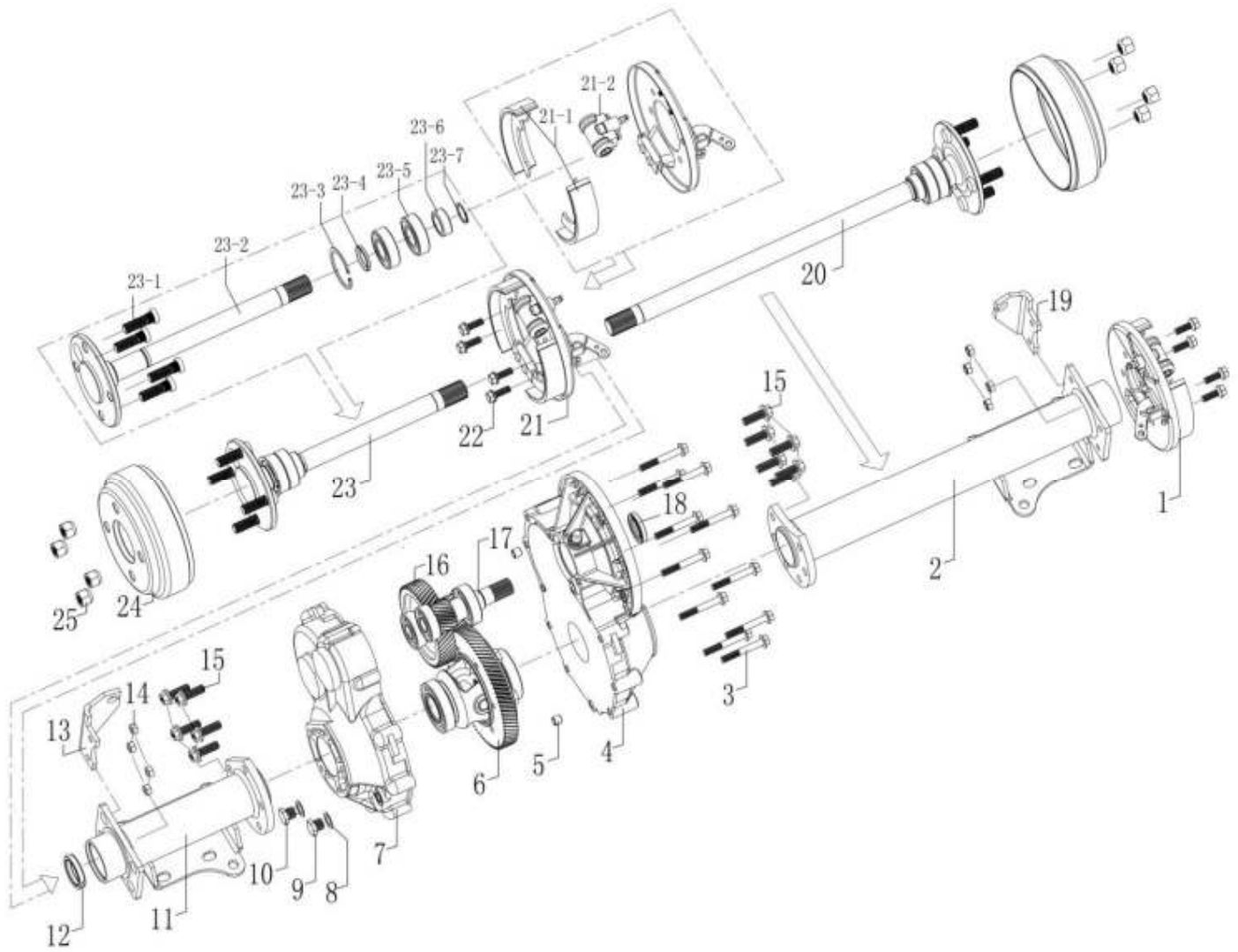
5) Front axle, steering knuckle, tie rod, drag rod (hydraulic)



5) Front axle, steering knuckle, tie rod, drag rod (hydraulic)

Item	Part No	Description	Qty	Remark
1	AW2300000-006	Front axle	1	
2	AW2302100-010	Steering knuckle, LH	1	
3	AW2302200-010	Steering knuckle, RH	1	
4	AW2701220-008	Ball connector	1	
5	LT3401070BM2-2	Join Rod	1	
6	AW2701200-037	Steering drag rod Assembly includes 4,5 (hydraulic)	1	
7	AW2706100-037	Tie rod(hydraulic)	1	
8	AW2706120-036	Tie rod ball connector	2	

6) Rear axle (hydraulic)

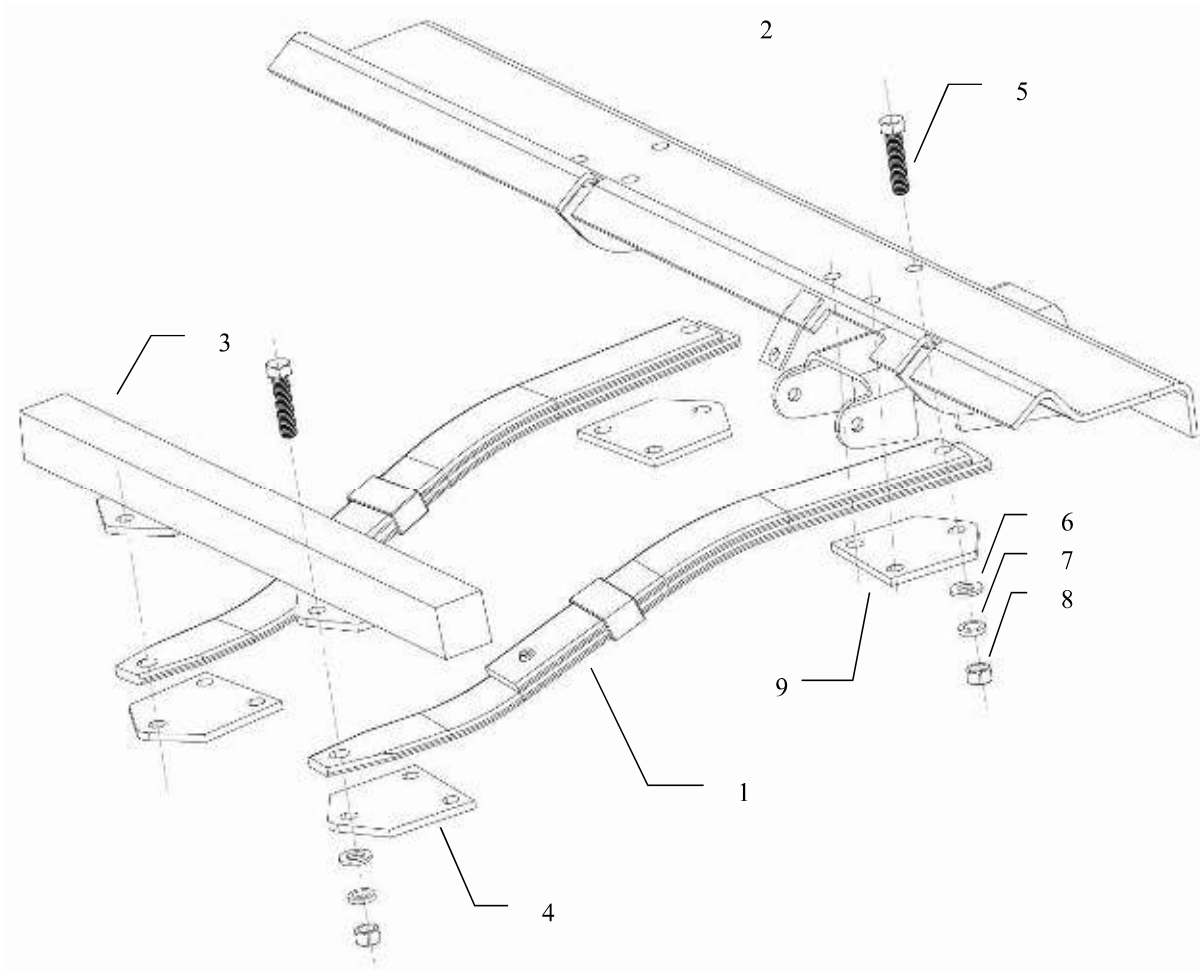


6) Rear axle (hydraulic)

6) Rear axle (hydraulic)

Item	Part No	Description	Qty	Remark
1	LY125J-Y160-02	Brake assembly (RH)	1	φ160
2	LY125J-5002	Long tube	1	
3	LY125J-4008	Connecting bolt	11	M8*60
4	LY125J-4001	Gear box housing (front)	1	
5	LY125J-4003	Positioning pin	2	φ8.5*φ10*10
6	LY125J-3000	Differential assembly	1	
7	LY125J-4002	Gear box housing (rear)	1	
8	LY125J-4004	Aluminum washer	2	φ14*φ22*1
9	LY125J-4005	Oil-in bolt	1	M14*1.5
10	LY125J-4006	Oil-out bolt	1	M14*1.5
11	LY125J-5001	Short tube	1	
12	LY125J-5008	Oil seal for half-axle	2	φ34*φ45*8
13	LY125J-5015-01	Brake cable bracket (LH)	1	
14	LY125J-5014	Bolt for brake assembly	8	5/16-24
15	LY125J-5003	bolts	11	M10*30
16	LY125J-2000	Intermediate shaft assembly	1	
17	LY125J-1000	Input shaft assembly	1	
18	LY125J-4007	Oil seal for input shaft	1	φ25*φ40*7
19	LY125J-5015-02	Brake cable bracket (RH)	1	
20	LY125J-7000	Long half-shaft	1	
21	LY125J-Y160-01	Brake assembly (LH)	1	φ160
22	LY125J-5013	Bolt for brake assembly	8	5/16-24
23	LY125J-5000	Short half-shaft	1	
24	LY125J-G160	Brake drum	2	φ160
25	LY125J-5016	Nut on brake drum	8	1/2-20
21-1	LY125J-Y160-0101	Brake shoe	4	2
21-2	LY125J-Y160-0102	Sub-cylinder	2	
23-1	LY125J-5010	Bolt on brake drum	8	M12*1.25
23-2	LY125J-5004	Short half-axle	1	LY125J-5011
23-3	LY125J-5009	Half-shaft bearing retainer	2	φ52
23-4	LY125J-5012	washer	2	φ25.5*φ34*4
23-5	LY125J-5005	Half-shaft bearing	4	6205-2RS
23-6	LY125J-5006	Bearing sleeve for half shaft	2	φ25*φ34*13
23-7	LY125J-5007	Retainer	2	

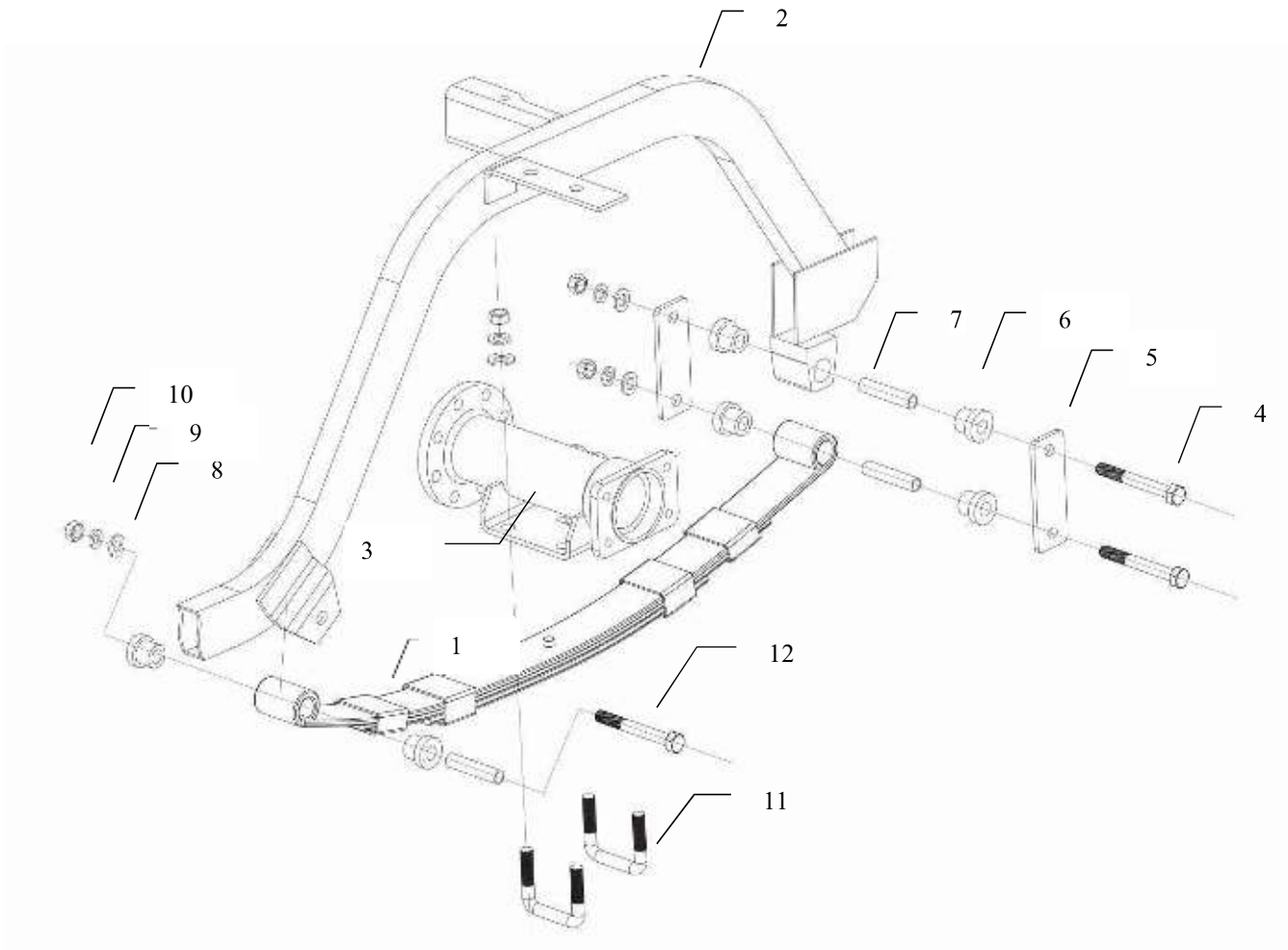
6-1 Front Suspension



6-1 Front Suspension

Item	Part No	Description	Qty	Remark
1	AWEG2044B	Front leaf spring assembly (EG2044B)	2	4pr
	AWEG2061	Front leaf spring assembly (EG2061)	2	6pr
2	AW2300000-004	Front beam	1	
3	AW2300000-006	Front axle assembly	1	
	AW2301117-004	Front axle assembly(hydraulic)	1	
4	Q150B1255	Front leaf spring front plate	2	
5	Q40112	Hexagon bolt M12x50	12	
6	Q40312	washer M12	12	
7	Q340B12	Spring washer M12	12	
8	AW2502112-036	Nut 12	12	
9	AW2024-2501002	Front leaf spring rear plate	2	

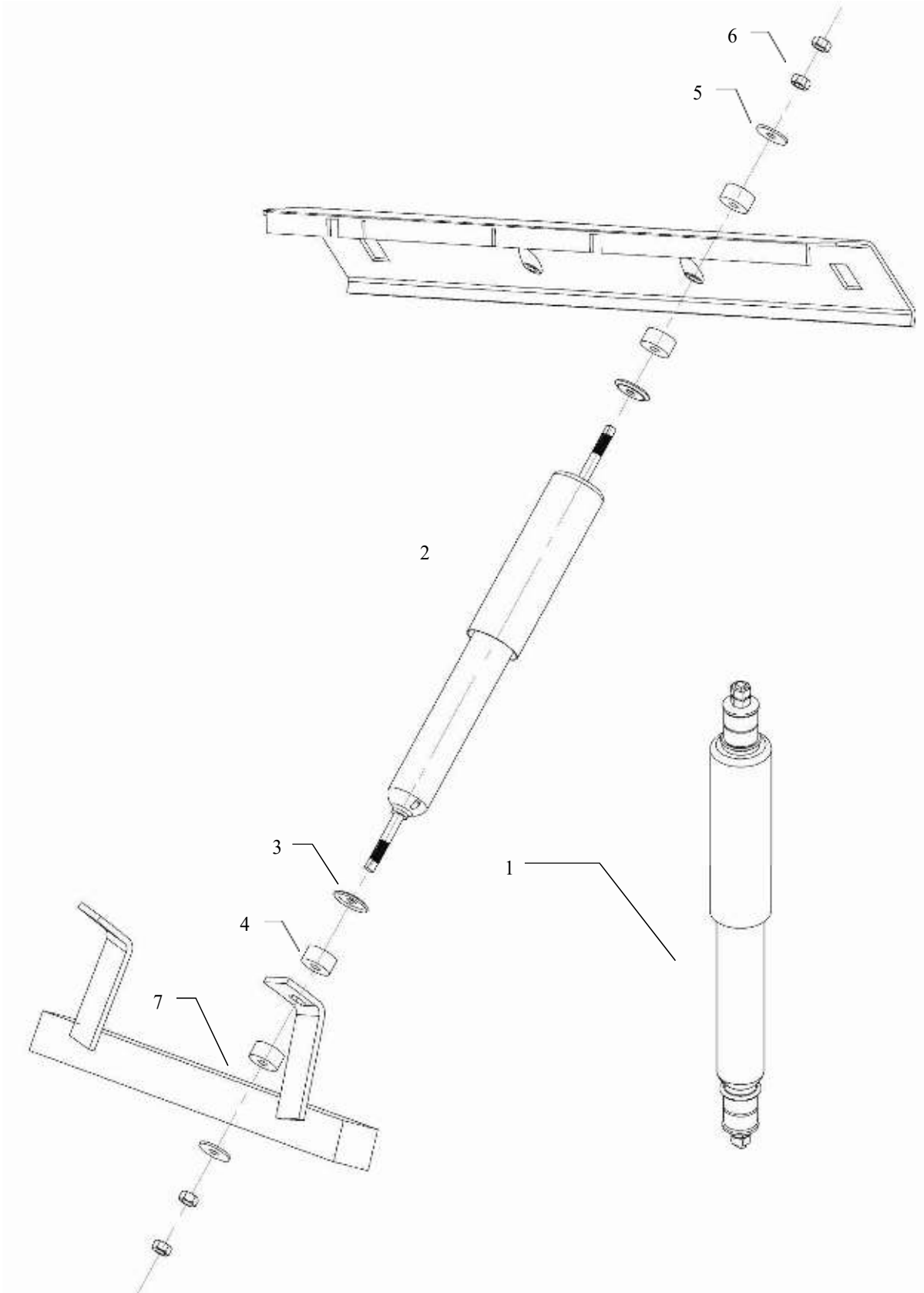
6-2 Rear Suspension



6-2 Rear Suspension

Item	Part No	Description	Qty	Remark
1	AWEG2061	Rear leaf spring assembly EG2061	2	4pr
	AWEG2061B+1	Rear leaf spring assembly EG2061B+1	2	6pr
2	AW2024-5101010	Carling frame	2	
3	AW2401120-EG2024-00B sleeving	Left half axle	1	
4	Q150B1090	hexagon Bolt M10×90	4	
5	AW2509015-036	Shackle	4	
6	AW2509114-036	Flange bush	12	
7	AW2509016-036	Separation cover	4	
8	Q340B10	Nut M10	16	
9	Q40310	Spring washer M10	16	
10	Q40110	Flat washer M10	16	
11	AW2509111-036	U bolt M10	4	
12	AW2509012-036	Rear leaf spring bolt	2	

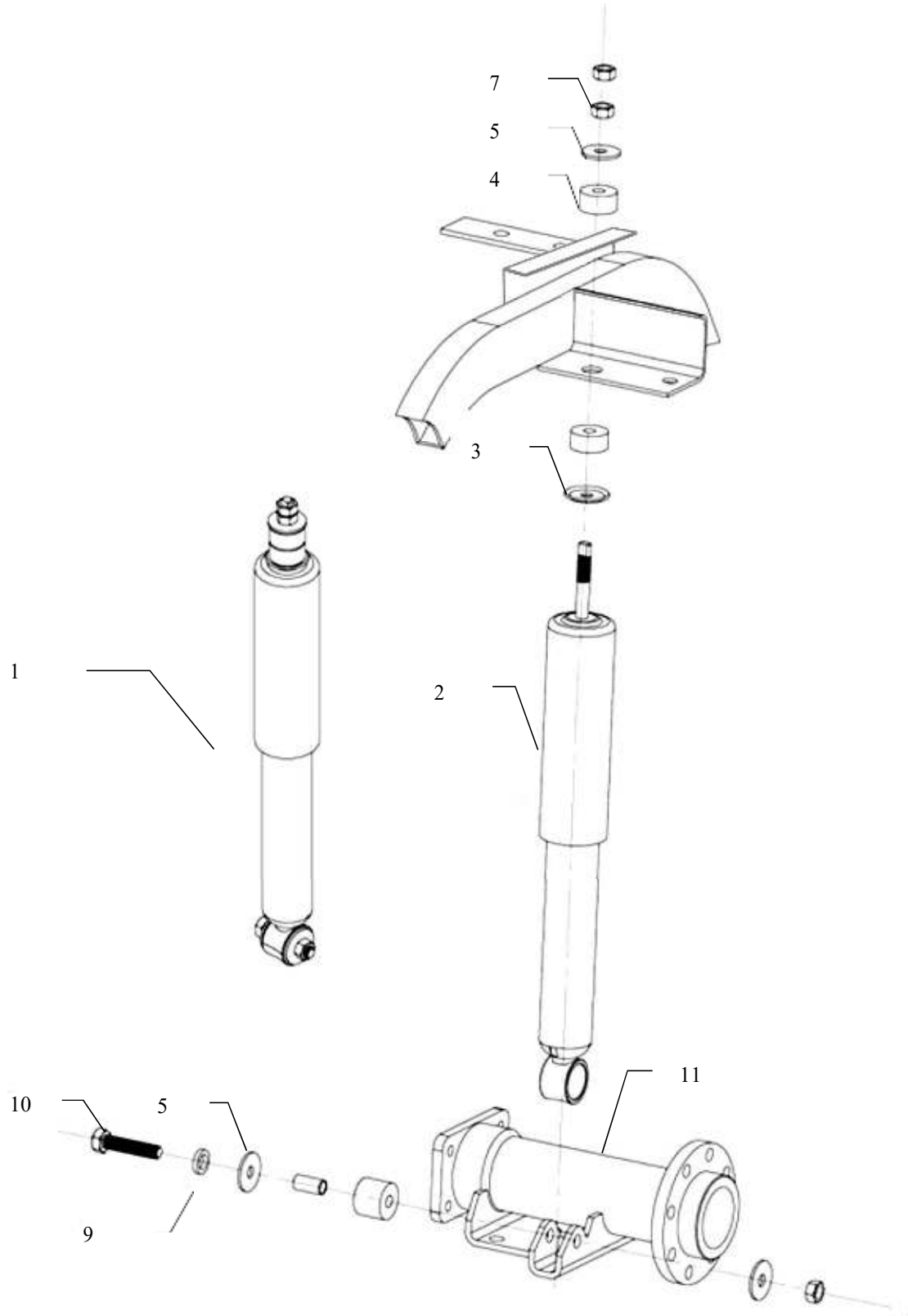
6-3 Front Shock Absorber



6-3 Front Shock Absorber

Item	Part No	Description	Qty	Remark
1	AW2504100-003	Front shock absorber assembly	2	
2	S30 (301) -0001	Front shock absorber assembly	2	
3	S30 (201) -0001	Inner retainer	4	
4	S30 (201) -0002	Upper cushion	8	
5	S30 (201) -0001	Inner retainer	4	
6	Q340B10	Nut M10	8	
7	AW2300000-004	Front axle assembly (mechanical brake)	1	
	AW2300000-006	Front axle assembly(hydraulic)	1	

6-4 Rear Shock Absorber



6-4 Rear Shock Absorber

Item	Part No	Description	Qty	Remark
1	AW2511100-005	Rear shock absorber assembly	2	
2	AW2504100-003	Front shock absorber assembly	2	
3	S30 (201) -0001	Inner retainer (2)	2	
4	S30 (201) -0002	Upper cushion	2	
5	S30 (201) -0001	Inner retainer (2)	2	
7	Q340B10	Nut M10	2	
9	Q40310	Spring washer M10	2	
10	Q150B1050	Hex head bolt M10×50	2	

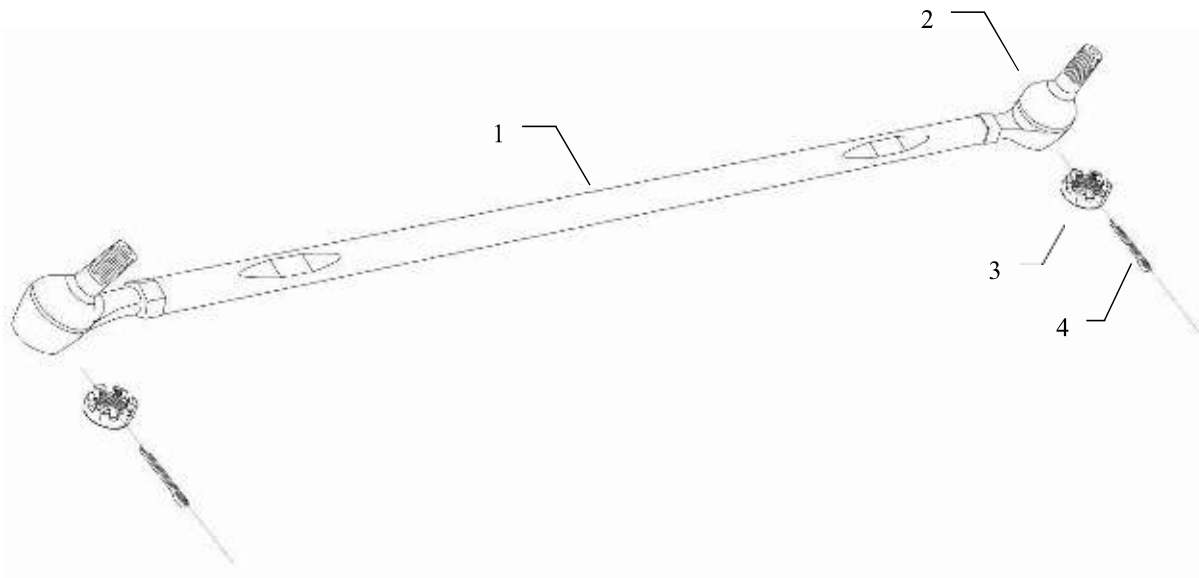
7-1 Steering Wheel Assembly



7-1 Steering Wheel Assembly

Item	Part No	Description	Qty	Remark
1	AW2702100-007	Steering wheel assembly	1	
2	AW2024-2704017	Steering Wheel Casing	1	
3	AW3024100-005	Combination Switch	1	

7-2 Tie Rod



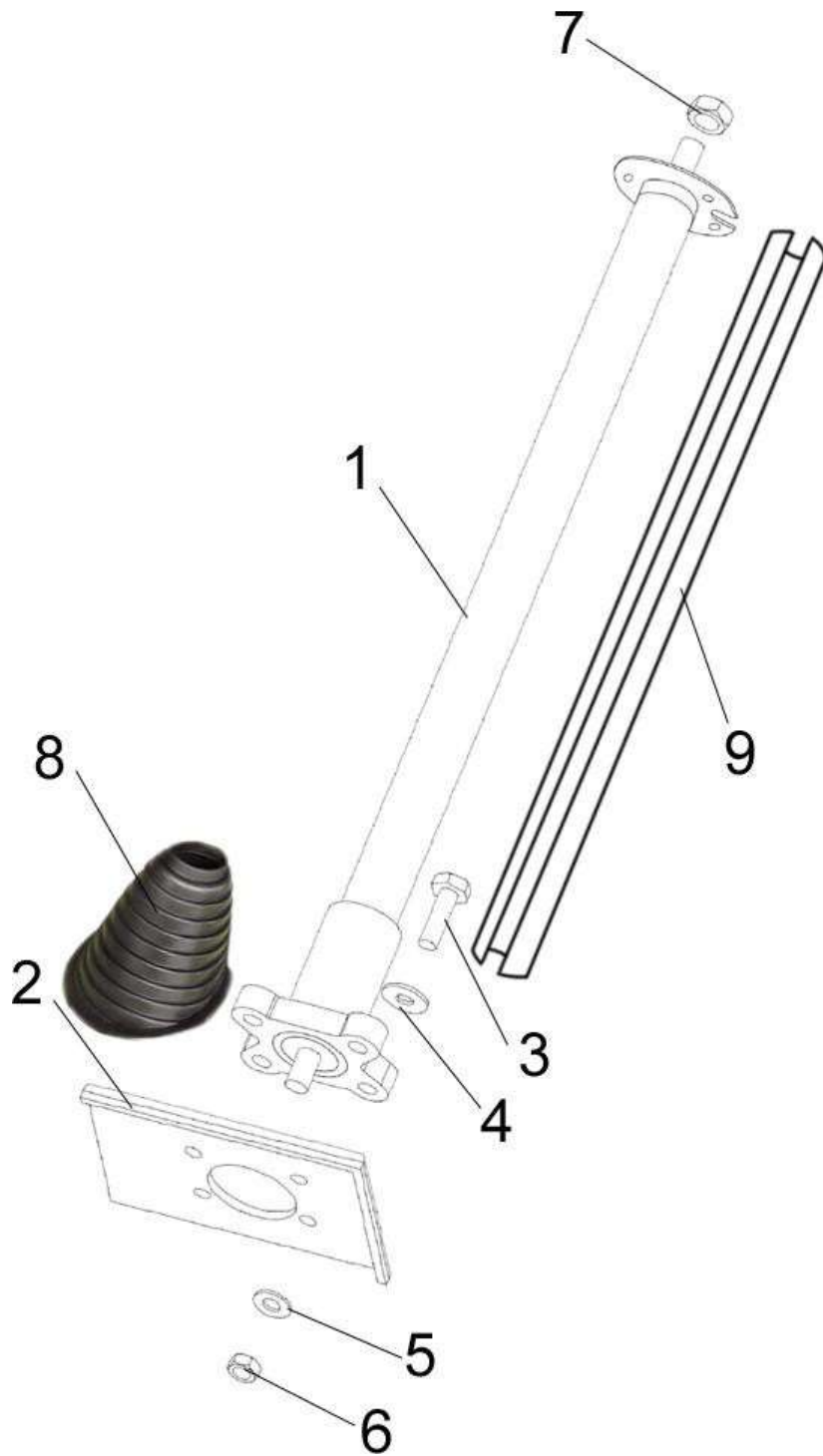
7-2 Tie Rod

Item	Part No	Description	Qty	Remark
	AW2706100-036	Tie rod (mechanical)	1	

7-2 Tie Rod

1	AW2706100-037	Tie rod(hydraulic)	1	
2	AW2706120-036	Tie rod joint	2	
3	Q381C12	Slotted nut M12	2	
4	Q5000225	Split pin $\Phi 2 \times 25$	2	

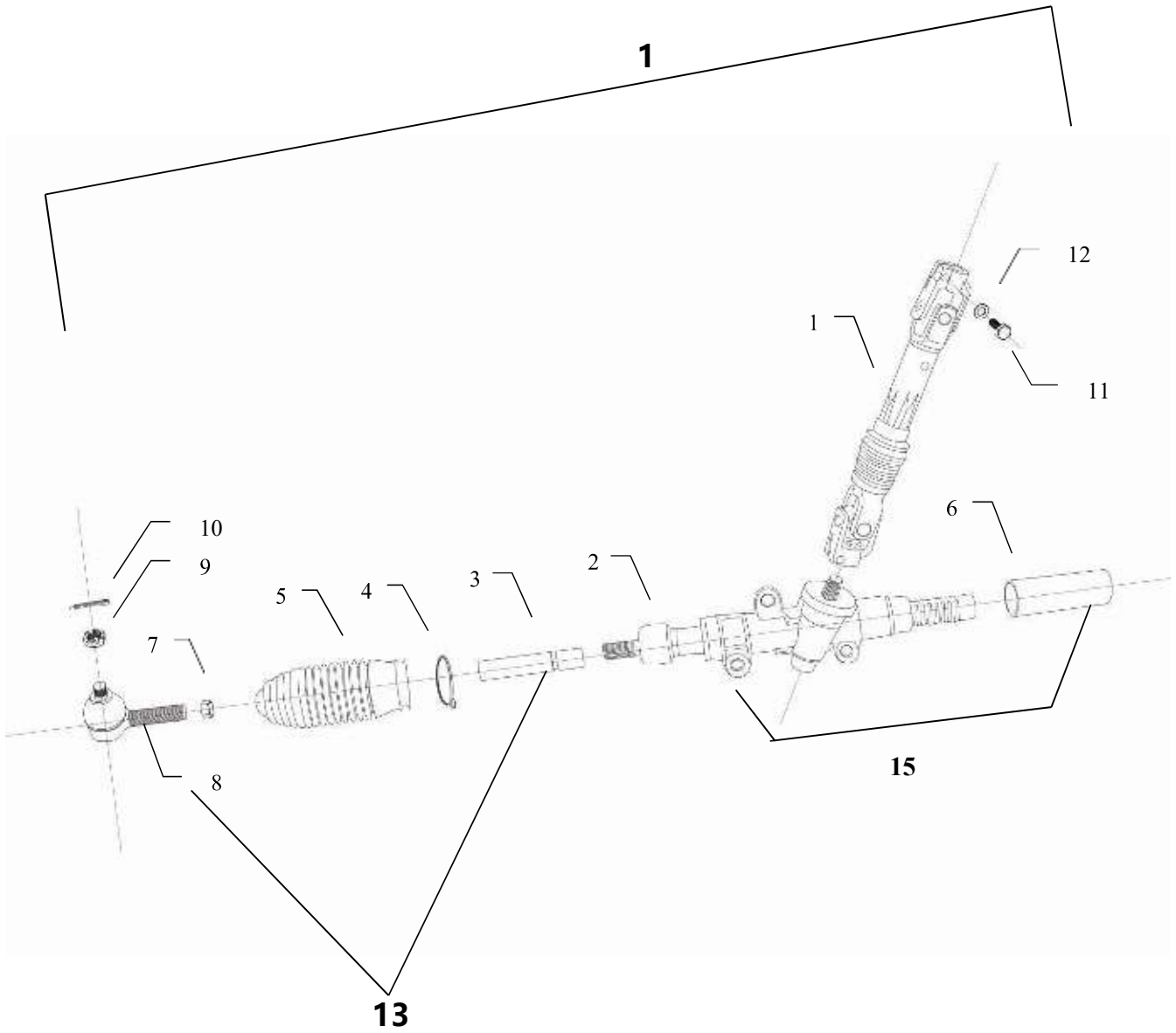
7-3 Steering Shaft Assembly



7-3 Steering Shaft Assembly

Item	Part No	Description	Qty	Remark
1	AW2705100-005	Steering shaft assembly	1	
2		Bracket steering shaft	1	
3	Q150B1040	Hex head bolt M10×40	4	
4	Q40110	Flat washer M10	4	
5	Q40310	Spring washer M10	4	
6	Q340B10	Nut M10	4	
7	Q32624	Hex head lock nut M24	1	
8	AW2712011-036	Steering shaft bushing	1	
9	AW2712012-036	Steering shaft jacket	1	

7-4 Hydraulic Steering Gear Assembly

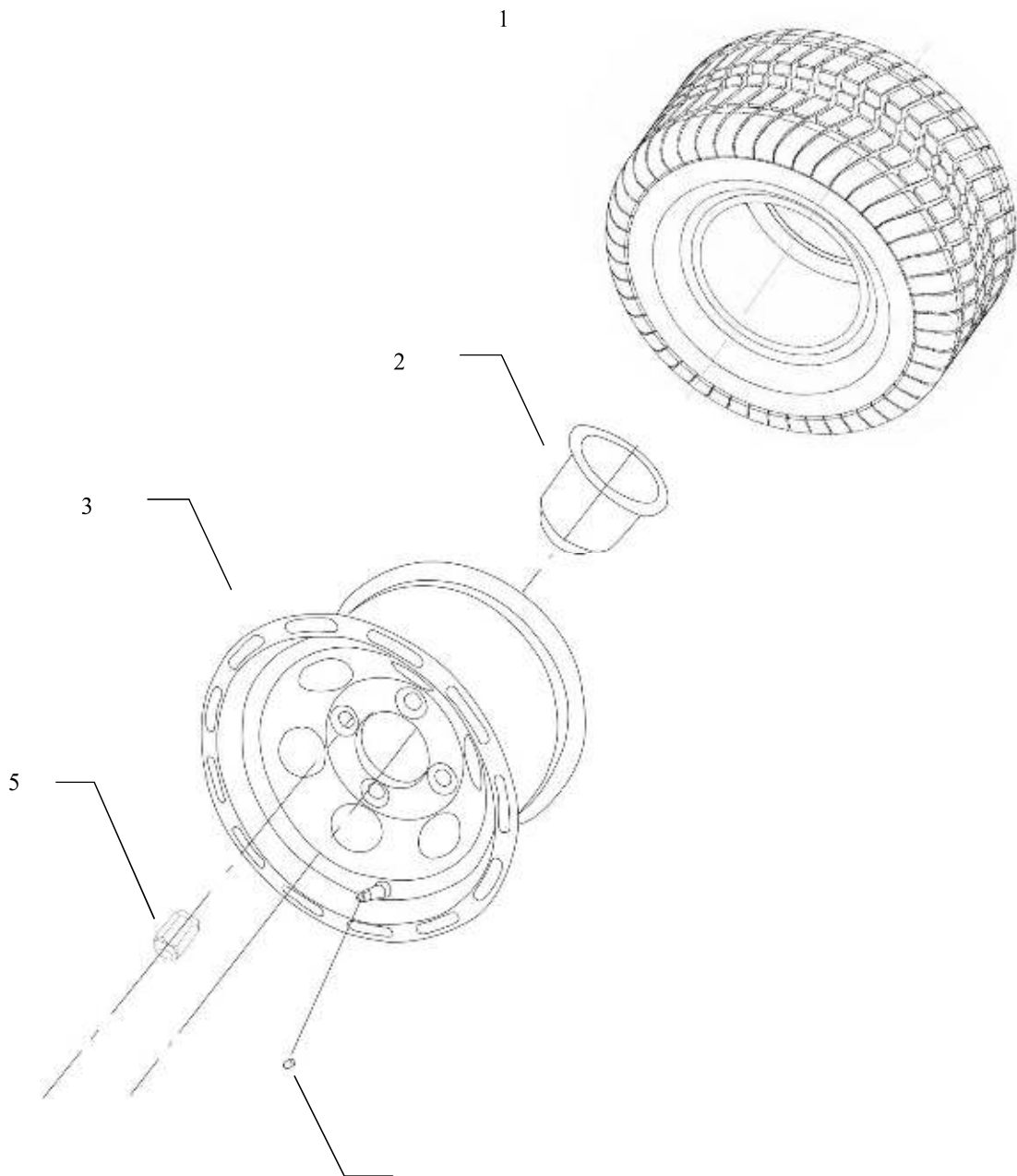


7-4 Steering Gear Assembly

Item	Part No	Description	Qty	Remark
1	AW2704300-009	Transmissionsteering shaftassembly	1	
2	LT3401020BM2	Steering gear housing & steering rack	1	
3	LT3401070BM2-1	Rod	1	
4	S-NLZD-5*200	Tie	1	
5	AW2701112-008	Dustproof cover	1	
6	AW2701111-008	Rear dustproof cap	1	
7	Q340B14-304H	Hex head nut M14	1	
8	AW2701220-008	Ball connector	1	
9	Q381C12	Slotted nut M12	1	
10	Q5000225	Split pin $\Phi 2 \times 25$	1	
11	Q150B0825-304H	Hex head Bolt M8 \times 25	1	
12	Q40308-304H	Spring washer M8	1	
13	AW2701200-036	Puller (include item 3,8-10)	1	
	AW2701200-037	Steering drag rod Assembly includes 3,8-10 (hydraulic)	1	
15	2701100-008	Redirector Assembly, Hydraulic(include item 2, 3,4,5,6,7,8,9, 10)	1	

8-1 Wheel& Tire

8-1 10' Aluminum Wheel & Tire



8-1 Wheel& Tire

5

10' Aluminum Wheel & Tire

Item	Part No	Description	Qty	Remark
1	205 / 50-10	Tire	4	
2	AW2024-2301002A	Hubcap	2	
3	AW2601100-016	Aluminum rim 10*7, black	4	
4	AW2601210-004	Valve Stem	4	
5	2600012-012	Lug Nut (Wheel Nut)	16	

9- Motor

48V/5KW PMSM Motor



48V/5KW Motor (48V/5KW)

Item	Part No	Description	Qty	Remark
1	AW1003000-018	PMSM motor, 5KW	1	

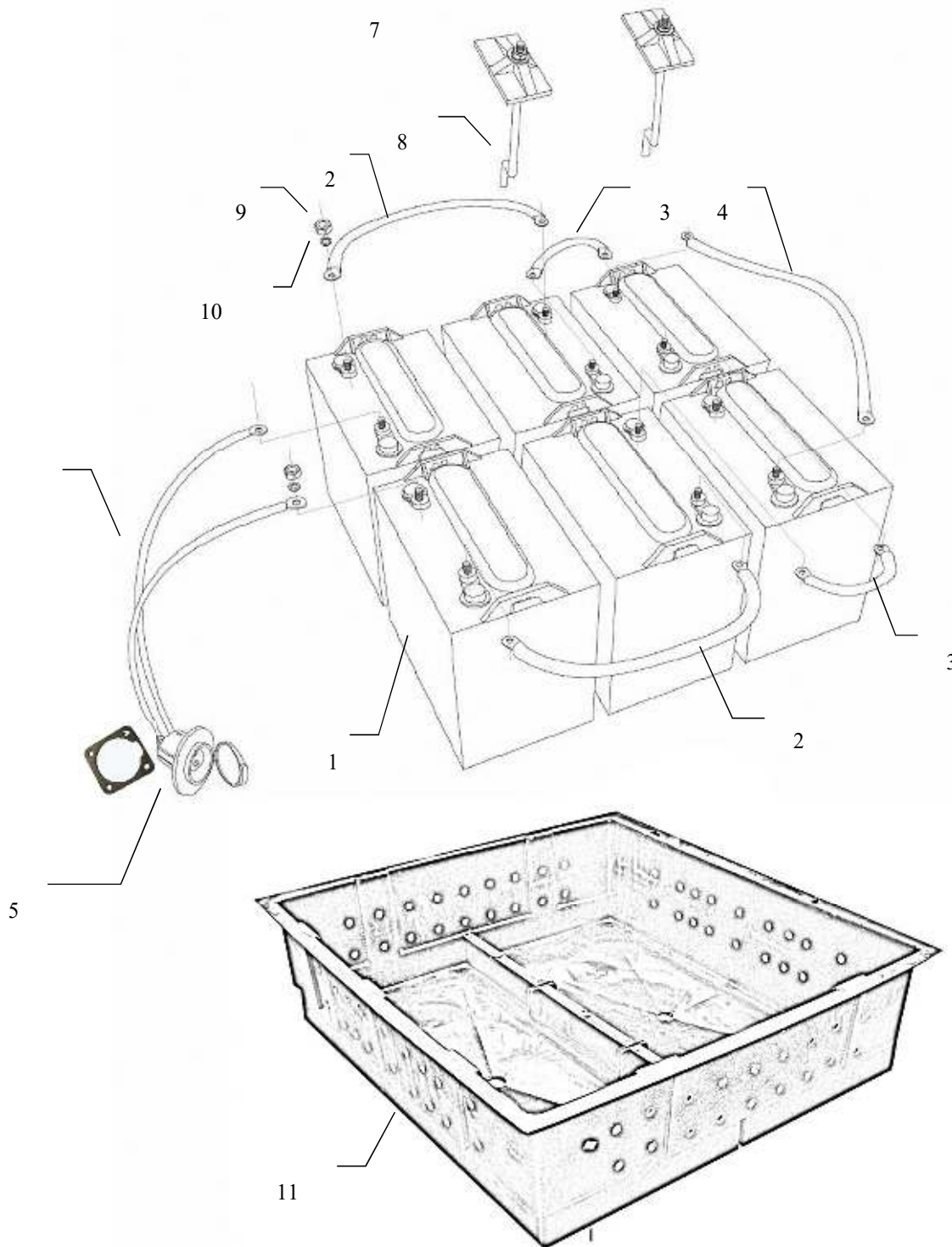
9-2 Controller,



Item	Part No	Description	Qty	Remark
1	AW1005100-010	PMSM Controller	1	

9-3 Battery & Battery Cable

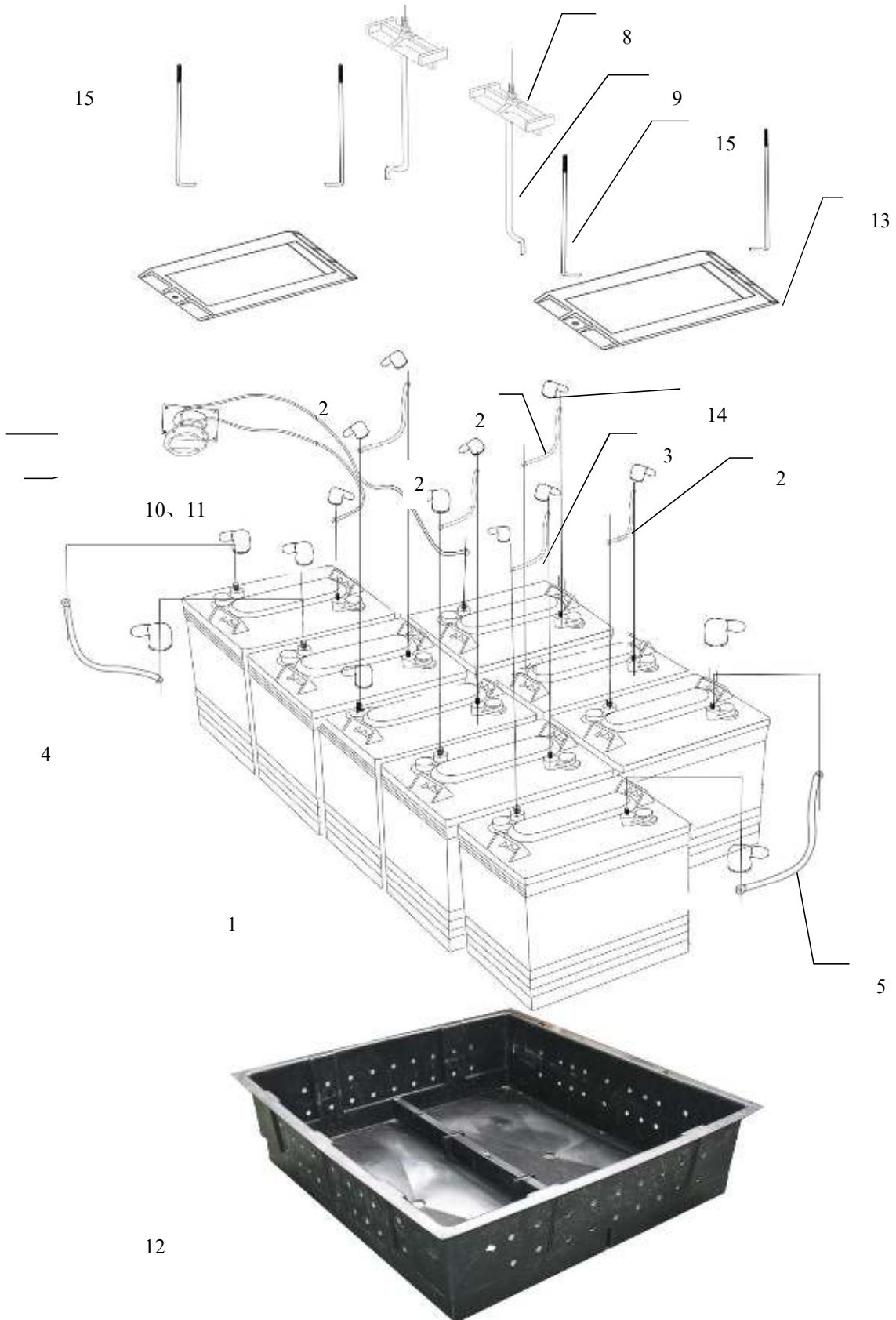
6X8V Battery Setup



6X8V Battery Setup

Item	Part No	Description	Qty	Remark
1	AW1101100-004	Battery (T-875)	6	8V×6
2	AW3313010-016	Battery Cable	2	25 ² ×380mm
3	AW3313010-001	Battery Cable	2	25 ² ×130mm
4	AW3313010-006	Battery Cable	1	25 ² ×440mm
5	AW3049120-001	Charger harness assembly	1	
7	AW1101012-002	Battery impact block	2	
8	AW1101011-005	Battery dead lever	2	
9	FB01009	Nut 5/16-8	12	Metric
10	Q40308-304	Spring washer M8	12	
11	AW1101013-002	Battery box	1	

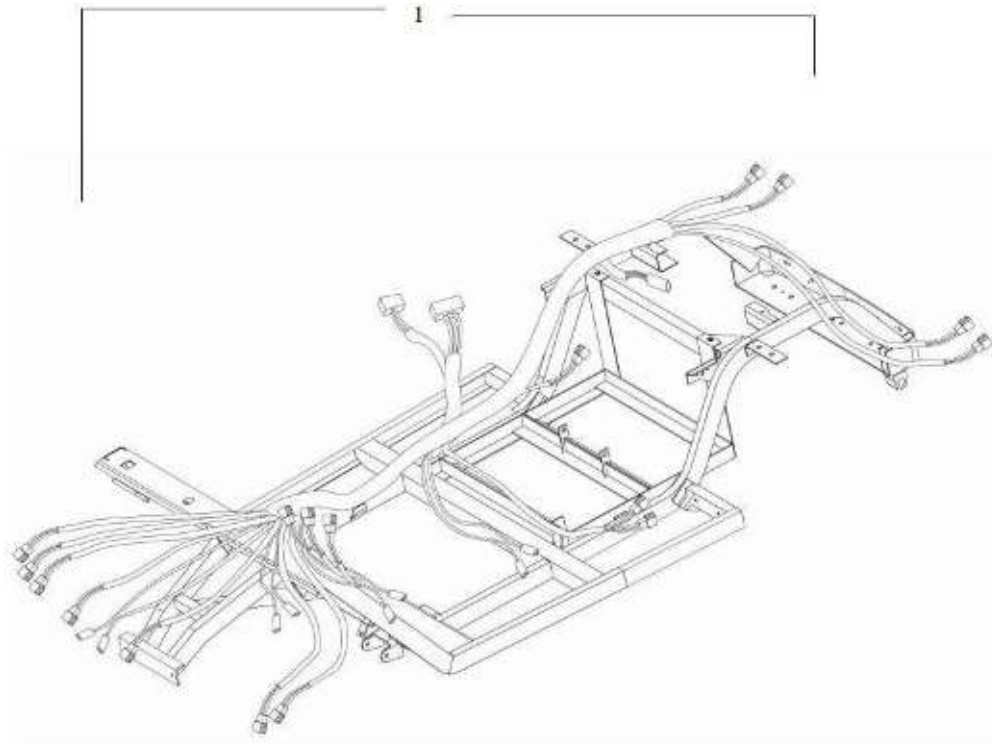
8X6V Battery Setup



8X6V Battery Setup

Item	Part No	Description	Qty	Remark
1	AW1101100-002	Battery (T-105)	8	6V×8
2	AW3313010-002	Battery Cable	4	25 ² ×180mm
3	AW3313010-003	Battery Cable	1	25 ² ×200mm
4	AW3313010-005	Battery Cable	1	25 ² ×300mm
5	AW3313010-016	Battery Cable	1	25 ² ×380mm
8	AW1101012-002	Battery impact block	2	
9	AW1101011-005	Battery dead lever	2	
10	FB01009	British system nut	12	5/16-8
11	Q40308-304	Spring washer M8	12	
12	AW1101013-002	Battery box	1	
13	AW1101012-003	Battery impact block	2	
14	AW1101014-002	Battery dead lever	16	
15	AW1101011-004	Battery dead lever	4	

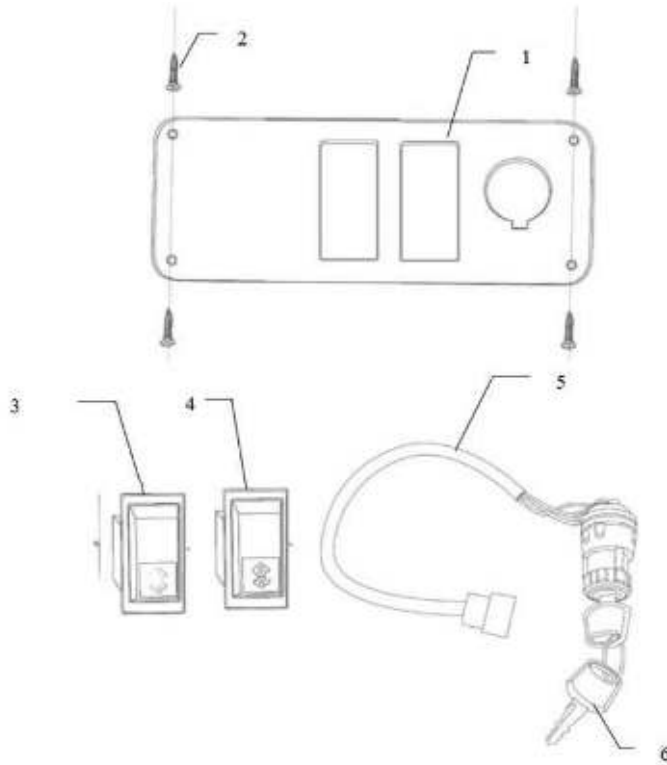
10-1 Harness



10-1 Harness

Item	Part No	Description	Qty	Remark
29	3308000-002	Accessory wiring harness	1	

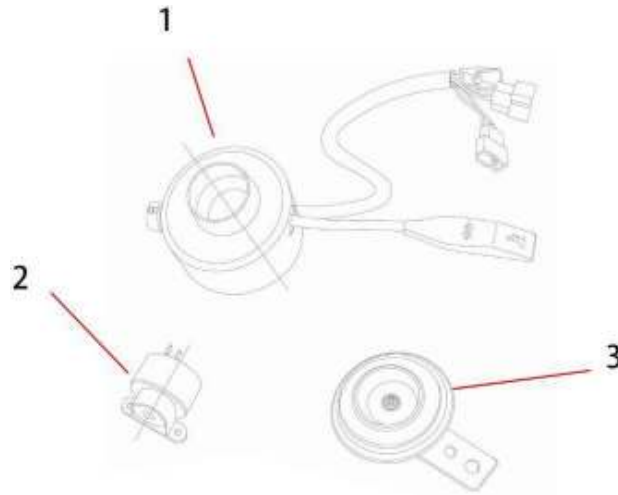
10-2 Instrument Panel, Start Key



10-2 Instrument Panel, Start Key

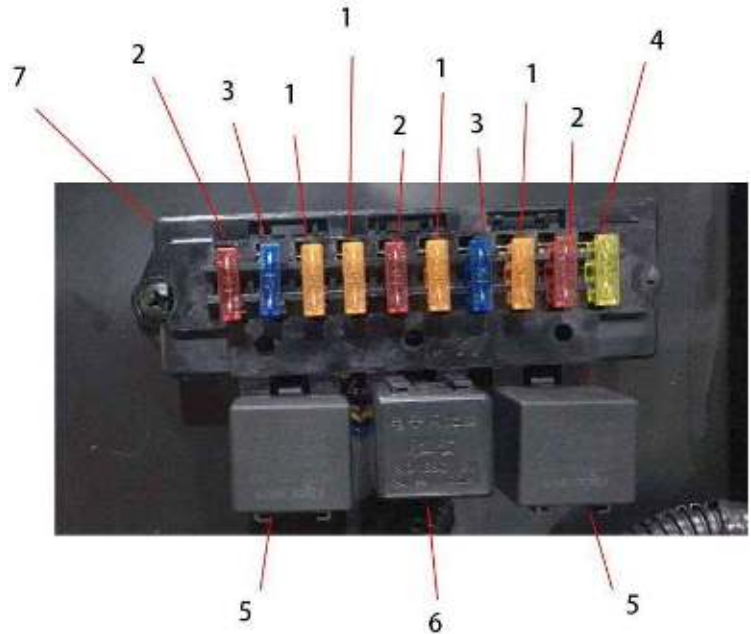
Item	Part No	Description	Qty	Remark
1	AW2024-3004014	Panel (one round hole)	1	
	AW3212051-002	Panel (two round hole)	1	
2	Q2730416-304H	Self-tapping screw M4×16	4	
3	AW3217010-001	Switch for wiper	1	
4	AW3032010-001	F/R switch	1	
5	AW3001010-003	Universal Start key (include item 6)	1	
6	6042-3001011	Key	2	

10-3 Combination Switch, Speaker, Backup Buzzer, Flasher Relay



10-3 Combination Switch, Loudspeaker, Backup Buzzer, Flasher Relay

Item	Part No	Description	Qty	Remark
1	AW3024100-005	Combination switch	1	
2	AW3211010-003	Reverse buzzer	1	
3	AW3004010-001	Electric horn	1	12V



Auxiliary relay and Fuse box

Item	Part No	Description	Qty	Remark
1	AWB-5A	5A fuse	4	5A
2	AWB-10A	10A fuse	3	10A
3	AWB-15A	15A fuse	2	15A
4	AWB-20A	20A fuse	1	20A
5	AW3129010-002	Electronic flasher	2	
6	AW3040010-001	Relay	1	
7	AWBX2081	Fuse box	1	

10-4 Charger



10-4 Charger 48V/25A

Item	Part No	Description	Qty	Remark
1	Lester Charger	Charger 48V	1	

11 Lighting System

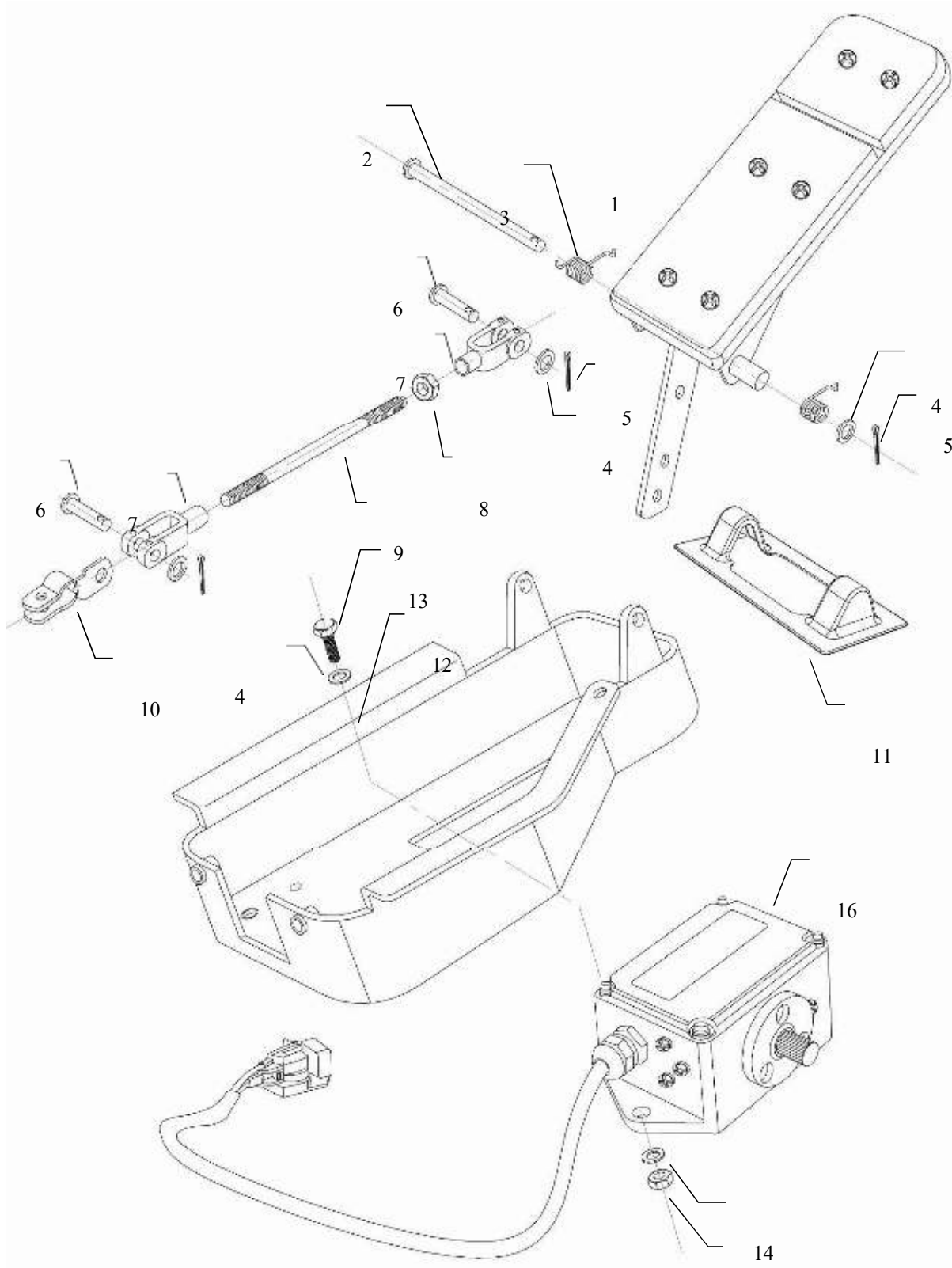


11 Lighting System

Item	Part No	Description	Qty	Remark
1	3117100-002	Headlight LH, LED	1	
2	3117200-002	Headlight RH, LED	1	
3	3126100-003	Rear assembled light, LH	1	
4	3126200-003	Rear assembled light, RH	1	

12-1 Accelerator Assembly

12-1-1: Accelerator assembly



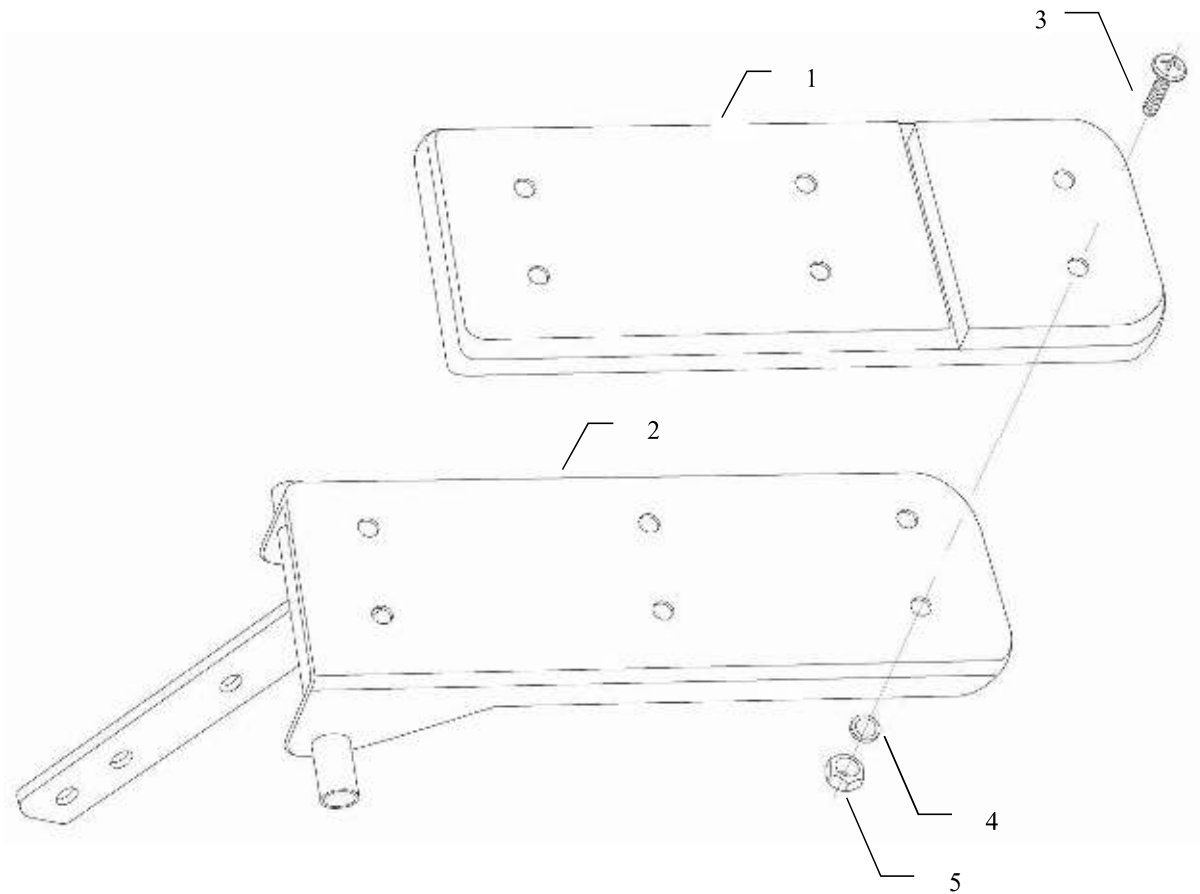
12-1 Accelerator Assembly

15

12-1 Accelerator Assembly

Item	Part No	Description	Qty	Remark
1	AW1007021-004	Accelerator Pedal Assembly, hall type	1	
2	AW1007028-004	Pedal shaft peg M8×100	1	
3	AW2803127-036	Torsion spring	2	Set
4	Q40108	washer M8	5	
5	Q5000225	Split pin $\Phi 2 \times 25$	3	
6	Q5100825	Pin M8×25	2	
7	AW1007026-004	Front/rear fork	2	
8	Q305	Nut M8 left-handed	1	
9	AW1007027-004	Putter	1	
10	AW1007025-004	Transmission fork	1	
11	AW1007023-004	Decorative cover of pedal	1	
12	AW5111020-023	Accelerator box	1	
13	Q150B0820	Hex head bolt M8x20	2	
14	Q40308	Spring washer M8	2	
15	Q340B08	Hex head nut M8	2	
16	AW1007100-004	Accelerator	1	

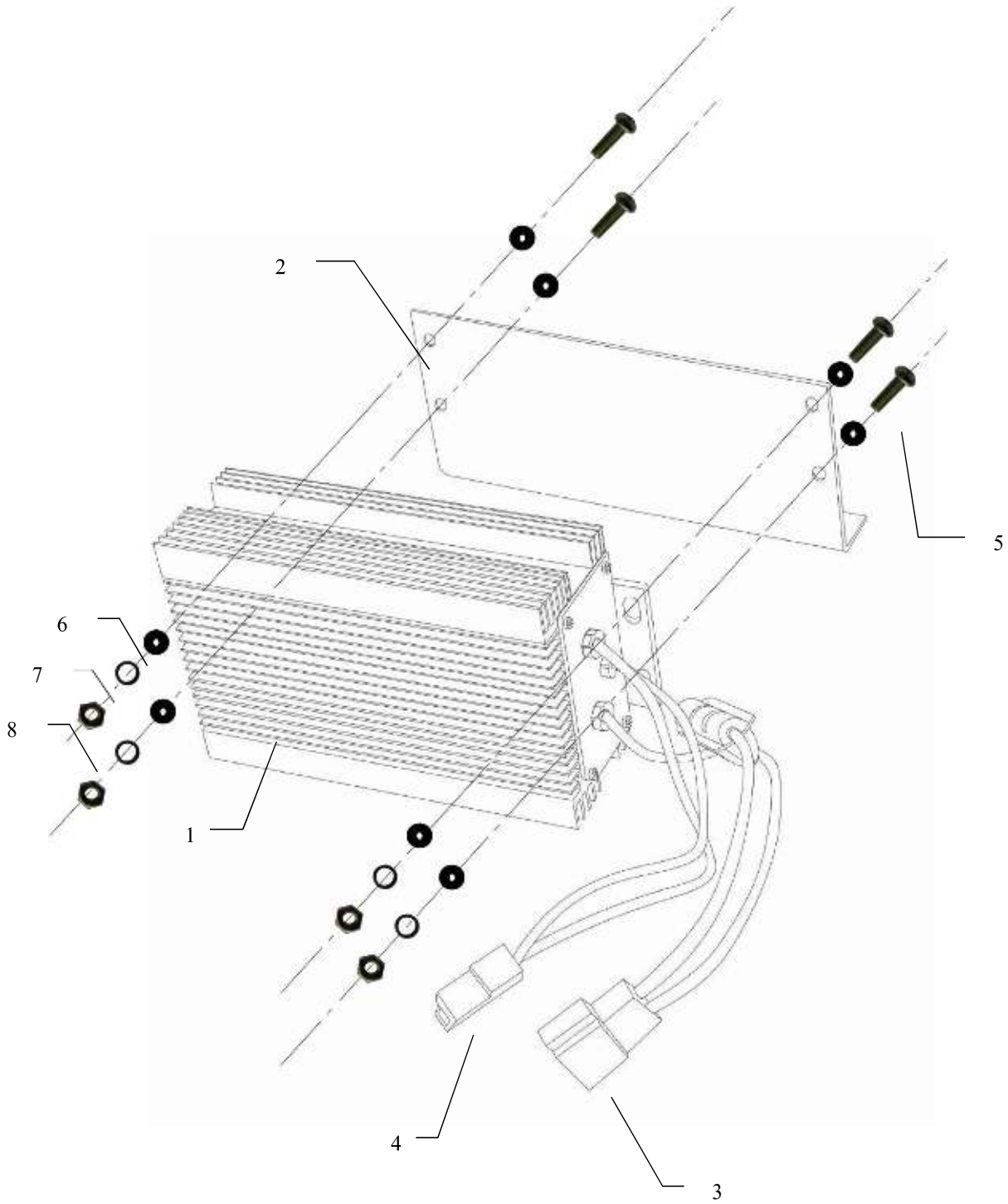
12-2 Accelerator Pedal Assembly



12-2 Accelerator Pedal Assembly

Item	Part No	Description	Qty	Remark
1	1007022-004	Pad of accelerator pedal	1	
2	1007021-004	Accelerator pedal	1	
3	Q2140616-304H	Cross slot pan head bolt M6×16	6	
4	Q40306-304H	Spring washer M6	6	
5	Q340B06-304H	Nut M6	6	

12-3 DC Converter



Item	Part No	Description	Qty	Remark
1	AW3048100-001	48V/12V DC converter	1	Includes 1-4
2		DC converter bracket	1	
3		To out	1	
4		To 12V in	1	
5	Q174B0410-304H	Cross slot bolt M4×10	4	
6	Q40104-304H	Flat washer M4	8	
7	Q40304-304H	Spring washer M4	4	
8	Q340B04-304H	Hex head nut M4	4	